

Pressure switch, model PSD-4	Page	2 - 20	EN
Druckschalter, Typ PSD-4	Seite	21 - 39	DE
Pressostat, type PSD-4	Page	40 - 58	FR
Presostato, modelo PSD-4	Página	59 - 77	ES



IO-Link



Pressure switch, model PSD-4



Part of your business

1. General information

1. General information

Prior to starting any work, read the operating instructions! Keep for later use!

■ These operating instructions contain important information on handling the pressure switch. Working safely requires that all safety instructions and work instructions are observed.

■ The general terms and conditions of WIKA Alexander Wiegand SE & Co. KG shall apply.

■ Further information:

- | | |
|---|---|
| - Internet address: | www.wika.de / www.wika.com |
| - Contact: | Tel.: +49 9372 132-0
info@wika.de |
| - Data sheet: | PE 81.86 |
| - Test report: | Included in delivery |
| - Tapped holes for process connections: | Technical information IN 00.14 at www.wika.com |
| - Electrical mounting: | Technical information IN 00.50 at www.wika.com |
| - Declaration of conformity: | Online at www.wika.de |

© 07/2017 WIKA Alexander Wiegand SE & Co. KG
All rights reserved. / Alle Rechte vorbehalten.
WIKA® is a registered trademark in various countries.
WIKA® ist eine geschützte Marke in verschiedenen Ländern.

2. Short overview

2. Short overview

2.1 Overview



- ① Confirmation button
- ② INFO button
- ③ Digital display
- ④ Status display, switching outputs
- ⑤ MENU button
- ⑥ Electrical connection
- ⑦ Process connection, spanner flats
- ⑧ Process connection, thread

2. Short overview

2.2 Display and operating unit

Status of switching output 2 (optional)

Status of switching output 1

Display mode

- ▶ Short press
Display of unit
- ▶ Long press
For display of the set parameters, see chapter 5.3 "Overview of parameters"

Programming mode

- ▶ Short press
Menu up
Parameter value up (step-wise)
- ▶ Long press
Menu up
Parameter value up (fast)



4-digit LED display

- Display of pressure value
- Display of menu item
- Display of parameter

Display mode

- ▶ Short press
Display of unit
- ▶ Long press
Jumping into the programming mode

Programming mode

- ▶ Short press
Menu down
Parameter value down (step-wise)
- ▶ Long press
Menu down
Parameter value down (fast)

Display mode

- ▶ Short press
Display of unit

Programming mode

- ▶ Short press
Selection of menu item
Confirmation of input

3. Safety

3. Safety

3.1 Explanation of symbols and terms



WARNING!

The signal word indicates a hazard with a medium degree of risk which, if not avoided, may result in death or serious injury.



CAUTION!

The signal word indicates a hazard with a low degree of risk which, if not avoided, may result in a minor or moderate injury.



Information

The signal word points out useful tips, recommendations and information for efficient and trouble-free operation.

1.1 Intended use

The pressure switch may only be used in such applications as are within its technical performance limits, in particular with regard to its material resistance limit, leakage rate limits and permissible temperature and pressure limits. It is the sole responsibility of the manufacturer or operator of a machine or plant to ensure the suitability of the pressure switch, and its media resistance, within the application through proper choice of materials and maintenance cycles. For performance limits, see chapter 9 "Specifications".

Special versions for oil and grease-free applications, as well as for use with oxygen (dangerous fluid in accordance with Directive 2014/68/EU Article 13, Regulation (EC) No. 1272/2008, or GHS 1), are available on request.

The mounting, dismounting, installation, parameterisation and maintenance of the pressure switch in industrial environments absolutely requires suitably skilled personnel in accordance with chapter 3.2 "Personnel qualification".

The instrument has been designed and built solely for the intended use described here, and may only be used accordingly.

The manufacturer shall not be liable for claims of any type based on operation contrary to the intended use.

1) Globally Harmonized System of Classification, Labelling and Packaging of Chemicals

3. Safety

Improper use

Any use beyond or different to the intended use is considered as improper use.

The following points, in particular, count as improper use and are not permissible:

- Use of this instrument in safety or emergency shutdown devices
- Unauthorised modifications to the pressure switch
- Use in hazardous areas
- Use with abrasive or unstable fluids, in particular hydrogen

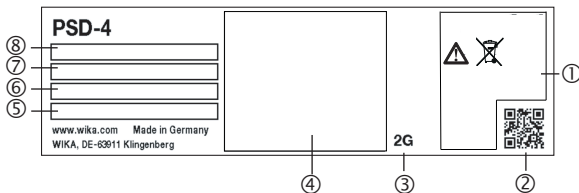
3.2 Personnel qualification

Skilled personnel

Skilled personnel, authorised by the operator, are understood to be personnel who, based on their technical training, knowledge of measurement and control technology and on their experience and knowledge of country-specific regulations, current standards and directives, must be capable of carrying out the work described and independently recognising potential hazards.

3.3 Labelling, safety marks

Product (example)



- | | |
|---|----------------------------|
| ① Approvals and conformities | ⑤ Serial number |
| ② QR code to WIKA serial number application | ⑥ Article number |
| ③ Coded date of manufacture | ⑦ Measuring range |
| ④ Pin assignment and specifications | ⑧ IO-Link version (option) |



Before mounting and commissioning the instrument, ensure you read the operating instructions!

3. Safety / 4. Mounting



Do not dispose of with household waste. Ensure a proper disposal in accordance with national regulations.

EN

4. Mounting

4.1 Mechanical mounting

Only use the pressure switch if it is in perfect condition with respect to safety.

Prior to commissioning, the pressure switch must be subjected to a visual inspection.

- Leaking liquid is indicative of damage.
- Obvious damage must be reported immediately.
- With a high ambient temperature and a high UV irradiation, the pressure switch must be installed with additional covering in order to avoid damage to the digital indicator and buttons.

For information on tapped holes and welding sockets, see Technical information IN 00.14 at www.wika.com

Mounting instructions for process connections G 1 hygienic and TRI-CLAMP®

- Never loosen sealed filling screws on the measuring instrument.
- For installation, in accordance with the fitting and flange standards the appropriate fastenings, such as screws, nuts or clamp rings, must be used.
- For flange mounting, only use sealings with a sufficiently large inner diameter and centre them. Contact with the diaphragm leads to measuring deviations.
- When using a welding socket, position this so that the hole for leakage detection points downwards. Weld the welding socket flush with the inner wall of the vessel and grind down. The surface roughness of the ground surfaces must be $Ra \leq 0.8 \mu\text{m}$. To comply with 3-A guidelines, always provide a leakage hole of min. 2.38 mm (0.09 in) at the lowest position.
- When using soft or PTFE sealings, observe the instructions of the sealing manufacturer, particularly with regard to tightening torque and load cycles.

G 1 hygienic

- Wetted seals from EPDM or FKM
- Suitable for WIKA adapter system model 910.61; see WIKA data sheet AC 09.20
- For dimensions of the appropriate process adapters and welding sockets, see WIKA data sheet AC 09.20

4. Mounting

TRI-CLAMP®

EHEDG conformity with clamp connection only in combination with a T-ring seal from Combifit Metaalbewerking B.V.

EN

Additional mounting instructions for process connections with EHEDG and 3-A approvals

Observe the following instructions, especially for EHEDG-certified and 3-A-compliant instruments.

- To maintain the EHEDG certification, one of the EHEDG-recommended process connections must be used. These are marked with the logo in the data sheet.
- For an EHEDG-compliant connection, seals in accordance with the current EHEDG policy document must be used.
- To maintain the conformity to the 3-A standard, a 3-A-compliant process connection must be used. These are marked with the logo in the data sheet.
- Mount the process connection with minimal dead space and able to be cleaned easily.
- The mounting position must not form a draining point or cause a basin to be formed.

4.2 Electrical mounting


Electrical connection to the voltage supply

→ For supply voltage, see product label or connection diagram

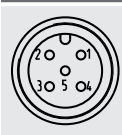
Pin assignment

→ For pin assignments, see product label or connection diagram

Circular connector M12 x 1 (4-pin)

	U+	1
	U-	3
	S+	2
	SP1/C 1)	4
	SP2	2

Circular connector M12 x 1 (5-pin)

	U+	1
	U-	3
	S+	5
	SP1/C	4
	SP2	2

1) Depending on the configuration of the output signals

Legend:

U+ Positive power supply terminal
U- Negative power supply terminal
S+ Analogue output

SP1 Switching output 1
SP2 Switching output 2
C Communication with IO-Link

4. Mounting / 5. Commissioning

For instruments without North American certification

This equipment is intended for operation with low voltages which are separated from the AC 230 V (50 Hz) mains voltage or voltages greater than AC 50 V or DC 120 V for dry environments. A connection to an SELV circuit is recommended, or alternatively to circuits with a different protective measure in accordance with IEC 60364-4-41 installation standard.

EN

For instruments with North American certification per UL/CSA IEC 61010-1

The power supply for the pressure sensor must be made via an energy-limited electric circuit in accordance with section 9.3 of UL/EN/IEC 61010-1 or an LPS per UL/EN/IEC 62368-1 or class 2 in accordance with UL1310/UL1585 (NEC or CEC). The voltage supply must be suitable for operation above 2,000 m should the pressure switch be used at this altitude.

Include the pressure switch in the equipotential bonding via the process connection or connect it to ground (earth).

5. Commissioning

Only use original parts and accessories, see data sheet PE 81.86 under "Accessories".

5.1 Adjustability of zero point

Check the indicated zero point on the digital display during commissioning. Should a zero point offset be displayed as a result of installation, this can be reset in programming mode with the 0SET parameter.

Only carry out the setting for gauge and vacuum pressure measuring ranges in a depressurised state.



For absolute pressure measuring ranges, the setting must be carried out at 0 bar absolute (vacuum). Since appropriate references are required for this, we recommend that this is only carried out by the manufacturer.

5.2 Operating modes

Mode	Description
System start	Digital display is fully activated for 1 sec. When the pressure switch is powered up within the range of the hysteresis, the output switch is set to "not active" by default.

5. Commissioning

Mode	Description
Programming mode (setting the parameters)	<p>Activating the programming mode Keep the "MENU" button pressed for approx. 2 sec. If the password is set to $\neq 0000$, a password will be requested. If authentication is successful, then it enters the programming mode, otherwise it reverts to display mode.</p> <p>Timeout If, during the setting of a parameter, no button is pressed for 60 s, the instrument returns to the display mode with the value unchanged.</p>
Display mode (normal operation, display of pressure value)	<p>Returning to the display mode Simultaneous pressing of "INFO" and "MENU"</p>

5.3 Overview of parameters

Menu item	Description	Parameter	Factory setting
SP1/SP2	Hysteresis function: Switch point (switching output 1/2)	0.25 ... 100 % of measuring range	Nominal pressure
FH1/FH2	Window function: Window high (switching output 1/2)	0.25 ... 100 % of measuring range	Nominal pressure
RP1/RP2	Hysteresis function: Reset point, switching output (1 or 2)	0 ... (switch point - 0.25 % of measuring range)	Nominal pressure - 10 %
FL1/FL2	Window function: Window low switch output (1 or 2)	0 ... (window high - 0.25 % of measuring range)	Nominal pressure - 10 %
EF	Extended programming functions		
RES	Return the set parameters to the factory settings	Yes/No	
DS1/DS2	Switching delay time, which must occur without interruption before any electrical signal change occurs (SP1, if applicable SP2)	0.00 ... 65.00 s	0.00 s
DR1/DR2	Reset delay time, which must occur without interruption before any electrical signal change occurs (RP1, if applicable RP2)	0.00 ... 65.00 s	0.00 s

5. Commissioning

Menu item	Description	Parameter	Factory setting
OU1/OU2	Switching function (switching output 1/2)	HNO = hysteresis function, normally open HNC = hysteresis function, normally closed FNO = window function, normally open FNC = window function, normally closed	HNO
OU3	Output signal switching	I = 4 ... 20 mA U = DC 0 ... 10 V	I
POL1/POL2	Switching logic (switching output 1/2)	PNP, NPN	PNP
ALOW	Measuring range scaling/turndown (analogue value, start value)	corresponding to analogue output	Start of measuring range
AHGH	Measuring range scaling/turndown (analogue value, end value)	corresponding to analogue output	End of measuring range
AVGD	Damping (digital display)	0.00 ... 65.00 s	0.20 s
AVG1/AVG2	Damping (switching output 1/2)	0.00 ... 65.00 s	0.00 s
AVG3	Damping (analogue signal)	0.00 ... 65.00 s	0.00 s
UNIT	Unit switching	BAR, mBAR, MPA, KPA, PSI, KGcm (kg/cm ²), %	Order-related
OSET	Adjustability of the zero point/execution of "Autozero" (max. ±3 % of span)	Yes/No	
DISM	Display value in display mode	ACT = current system pressure LOW, HIGH = min/max system pressure OFF = display off SP1/FH1 = set switching value RP1/FL1 = set switching value SP2/FH2 = set switching value RP2/FL2 = set switching value	ACT
DISU	Refresh rate (digital display)	1, 2, 5, 10 updates/second	5
DISR	Rotate the indication by 180° (digital display)	Yes/No	

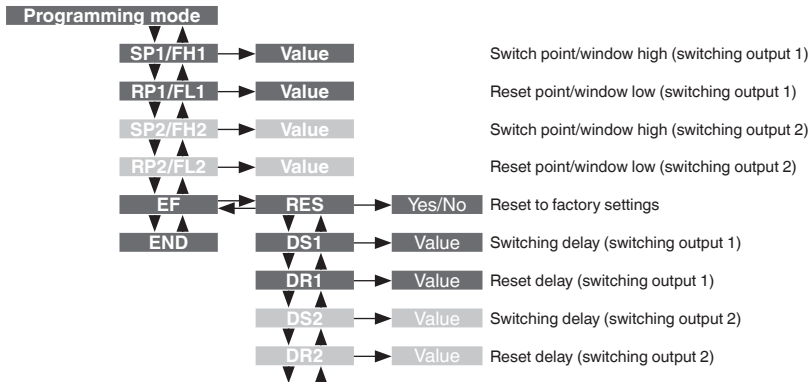
EN

5. Commissioning

Menu item	Description	Parameter	Factory setting
DRES	Resolution (digital display)	OPT = optimised (stable measured value display with rounding factors for the last digit optimised to the measuring range) FULL = maximum (finest resolution, if required, for a stable display of measured values a damping must be set for the digital display)	OPT
RHL	Clear memory (min/max system pressure)	Yes/No	
PAS	Password entry	0000 = no password Password input digit by digit	0000
TAG	Measuring instrument name (TAG)	Up to 32 characters (A-Z ,0 ... 9; - ,SPACE) (2 spaces in sequence terminate the input and lead to the deletion of this and the underlying characters)	Without

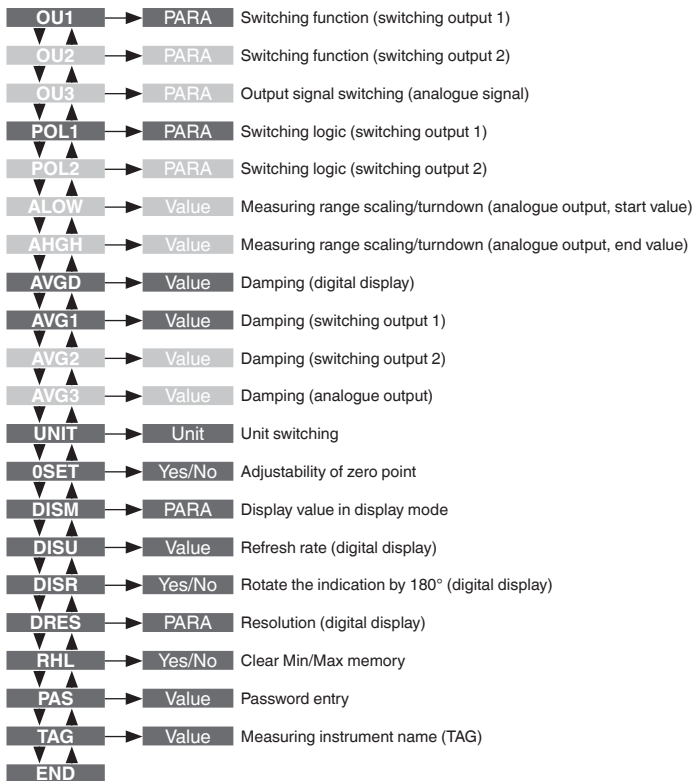
5.4 Menu tree

Certain menu items (light grey) are only displayed if the pressure switch features the respective option.



5. Commissioning

EN



6. Faults

6. Faults



CAUTION!

Physical injuries and damage to property and the environment

If faults cannot be eliminated by means of the listed measures, the pressure switch must be taken out of operation immediately.

- ▶ Ensure that pressure or signal is no longer present and protect against accidental commissioning.
- ▶ Contact the manufacturer.
- ▶ If a return is needed, please follow the instructions given in chapter 8.2 "Return".



For contact details, see chapter 1 "General information" or the back page of the operating instructions.

In the event of any faults, first check whether the pressure switch is mounted correctly, mechanically and electrically.

Fault	Possible cause	Measure
No output signal	Cable break	Check the continuity
No output signal	No/wrong supply voltage	Rectify the supply voltage
No/wrong output signal	Wiring error or switching of switching logic/ analogue signal	Observe the pin assignment Check the output configuration
Constant output signal upon change in pressure	Mechanical overload caused by overpressure	Replace instrument; if it fails repeatedly, contact the manufacturer
Deviating zero point signal	Overpressure limit exceeded	Maintain permissible overpressure limit
Signal span too small	Mechanical overload caused by overpressure	Replace instrument; if it fails repeatedly, contact the manufacturer
Signal span too small	Supply voltage too high/low	Rectify the supply voltage
Signal span drops	Moisture has entered	Mount the cable correctly
Signal span drops/too small	Diaphragm damaged, e.g. due to impacts, abrasive/aggressive medium; corrosion at diaphragm/process connection	Contact manufacturer and replace instrument

6. Faults

Warnings and errors

Via the digital display, the instrument's internal warnings and errors are output. The instrument continues to measure, even when a warning exists. The output signal and the switching outputs are still output.

The following table shows the codes and their meaning.

EN

Warning	Description
ATT1	On changing the switch point, the reset point of the instrument is automatically reduced to the smallest hysteresis of 0.25 %.
ATT2	Adjustability of zero point, current pressure is outside the limits
ATT3	Password entered for menu access is incorrect
ATT4	Unit cannot be displayed on digital display, previous unit is used
ATT5	Maximum turndown exceeded
ILOC	Menu locked over IO-Link
OL	Overpressure, measuring range exceeded > approx. 3.125 % (digital display flashing)
PAS	Prompt for password input
UL	Vacuum, below measuring range < approx. 3.125 % (digital display flashing)

Error	Description
ERR	Internal error (restarting the instrument or resetting to factory settings can provide a solution) The analogue output controls the alarm signal $\leq 3.6 \text{ mA}$ (4 ... 20 mA output signal) or $\geq 11 \text{ V}$ (0 ... 10 V output signal) in accordance with NAMUR43 The switching outputs keep the current switching state (output open or closed)
ERR1	Instrument temperature exceeded/too low or supply voltage too low The analogue output is output. There are restrictions with respect to accuracy (temperature influence) and maximum analogue value (supply voltage too low) The switching outputs keep the current switching state (output open or closed)

6. Faults / 7. Maintenance and cleaning

Error	Description
ERR2	Sensor defect detected, check whether high overpressure is present (can be detected as sensor defect), if necessary, restart instrument or exchange of instrument is needed
	The analogue output controls the alarm signal $\leq 3.6 \text{ mA}$ (4 ... 20 mA output signal) or $\geq 11 \text{ V}$ (0 ... 10 V output signal) in accordance with NAMUR43 The switching outputs keep the current switching state (output open or closed)
SC	Short-circuit detected at switching output 1 or 2 The switching output affected is inactive so long as the short-circuit is present

Acknowledge warnings and errors with confirmation button.

7. Maintenance and cleaning

7.1 Maintenance

This pressure switch is maintenance-free.

Repairs must only be carried out by the manufacturer.

7.2 Cleaning

Only use commercially available and solvent-free cleaning agents.

7.3 Cleaning in place (CIP) cleaning process

The following instructions are valid only for instruments which have been marked as suitable for CIP in the data sheet.

- When cleaning from outside ("wash down"), observe the permissible temperature and ingress protection.
- Only use cleaning agents which are suitable for the seals used.
- Cleaning agents must not be abrasive nor corrosively attack the materials of the wetted parts.
- Avoid thermal shocks or fast changes in the temperature. The temperature difference between the cleaning agent and rinsing with clear water should be as low as possible. Negative example: Cleaning with 80 °C [176 °F] and rinsing at 4 °C [39 °F] with cold water.

8. Dismounting, return and disposal

8. Dismounting, return and disposal

8.1 Dismounting



WARNING!
Hazardous media

- ▶ Should a failure occur, aggressive media with extremely high temperature and under high pressure or vacuum may be present at the instrument.
- ▶ Depressurise and de-energise the pressure switch before dismantling it.

8.2 Return



WARNING!
Physical injuries and damage to property and the environment through residual media

Residual media in the dismantled instrument can result in a risk to persons, the environment and equipment.

- ▶ In case of hazardous substances, enclose the material safety data sheet for the corresponding medium.

Strictly observe the following when shipping the instrument:

All instruments delivered to WIKA must be free from any kind of hazardous substances (acids, bases, solutions, etc.) and must therefore be cleaned before being returned.

When returning the instrument, use the original packaging or a suitable transport packaging.



Information on returns can be found under the heading "Service" on our local website.

Incorrect disposal can put the environment at risk.

Dispose of instrument components and packaging materials in an environmentally compatible way and in accordance with the country-specific waste disposal regulations.



Do not dispose of with household waste. Ensure a proper disposal in accordance with national regulations.

9. Specifications

9. Specifications

Depending on the selected instrument version (e.g. seals), the specification may deviate from the specifications listed here. The specifications in the order documentation are definitive.

For further specifications, see WIKA data sheet PE 81.86 and the order documentation.

Specifications

Measuring range	→ See product label
Maximum working pressure	→ Equals the upper range value / full scale value
Overpressure limit ¹⁾	
Measuring ranges ≤ 600 bar [$\leq 7,500$ psi]	2 times
Measuring range 1,000 bar [14,500 psi]	1.48 times
Max. measured error per IEC 61298-2	$\leq \pm 0.5$ % of span
Accuracy of the switch point	$\leq \pm 0.5$ % of span
Switching current	Max. 250 mA per switching output
Switching voltage	Supply voltage - 1 V
Temperature error at 0 ... 80 °C [32 ... 176 °F]	
For all process connections with pressure port	$\leq \pm 1.5$ % of span
With increased overpressure limit and process connection G ½ B flush	$\leq \pm 2.5$ % of span
For process connections G 1 hygienic and TRI-CLAMP® 1 ½" and 2"	$\leq \pm 3.5$ % of span
Vacuum resistance	Yes
Output signal	→ See product label
Supply voltage	DC 15 ... 35 V
Current supply	Max. 600 mA including switching current
Pin assignment	→ See product label and connection diagram in chapter 4.2 "Electrical mounting"
Short-circuit resistance	S+ / SP1 / SP2 vs. U-
Reverse polarity protection	U+ vs. U-
Insulation voltage	DC 500 V
Material (wetted)	
Measuring ranges < 10 bar [150 psi]	Stainless steel 316L Stainless steel 1.4435/316L with G 1 hygienic and TRI-CLAMP® 1 ½" and 2" process connections

9. Specifications

EN

Specifications

Measuring ranges ≥ 10 bar [150 psi]	Stainless steel 316L, PH grade steel	
	Stainless steel 1.4435/316L with G 1 hygienic and TRI-CLAMP® 1 ½" and 2" process connections	
Pressure transmission medium		
For all gauge pressure measuring ranges < 10 bar [150 psi] 1), all absolute pressure measuring ranges and G ½ flush	Synthetic oil	
With G 1 hygienic and TRI-CLAMP® 1 ½" and 2" process connections	KN92 medicinal white mineral oil, FDA-compliant per CFR 172.878 and 21 CFR 178.3620(a); conform to USP, EP and JP	
Surface roughness of wetted parts	Process connection G 1 hygienic	Ra $\leq 0.8 \mu\text{m}$ (except for weld seam)
	Process connection TRI-CLAMP® 1 ½" and 2"	Ra $\leq 0.76 \mu\text{m}$ per ASME BPE SF3 (except for weld seam)
Options for specific media		
Oil- and grease-free	Residual hydrocarbon	< 1,000 mg/m ²
Oxygen, oil- and grease-free	Residual hydrocarbon	< 200 mg/m ²
	Max. permissible temperature	-20 ... +60 °C [-4 ... +140 °F]
Medium temperature limit		
Process connections with pressure port and G ½ B flush	-20 ... +85 °C [-4 ... +185 °F]	
Process connection G 1 hygienic	<ul style="list-style-type: none"> ■ -20 ... +100 °C [-4 ... +212 °F] (+135 °C [+275 °F] max. 1h) ■ -20 ... +125 °C [-4 ... +257 °F] (+150 °C [+302 °F] max. 1h) (option) 	
Process connections TRI-CLAMP® 1 ½" and 2"	-20 ... +100 °C [-4 ... +212 °F] (+135 °C [+275 °F] max. 1h)	
Ambient temperature limit	-20 ... +80 °C [-4 ... +176 °F]	
Storage temperature limit	-20 ... +70 °C [-4 ... +158 °F]	
Service life		
Switching cycles	100 million	
Load cycle (mechanical) 2)	100 million or 10 million for measuring ranges > 600 bar/7,500 psi	

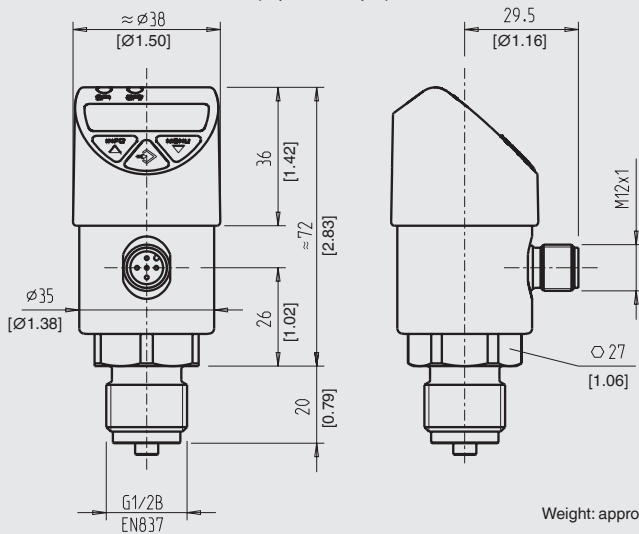
1) The overpressure limit is based on the sensor element used. Depending on the selected process connection and seal, restrictions in overpressure limit can result.

2) Not valid for G 1 hygienic and TRI-CLAMP® 1 ½" and 2"

9. Specifications

Dimensions in mm [in]

Pressure switch with circular connector M12 x 1 (4-pin and 5-pin)



Weight: approx. 220 g [7.76 oz]

EN

1. Allgemeines

1. Allgemeines

Vor Beginn aller Arbeiten Betriebsanleitung lesen! Zum späteren Gebrauch aufbewahren!

- Diese Betriebsanleitung gibt wichtige Hinweise zum Umgang mit dem Druckschalter. Voraussetzung für sicheres Arbeiten ist die Einhaltung aller angegebenen Sicherheitshinweise und Handlungsanweisungen.
- Es gelten die allgemeinen Geschäftsbedingungen der WIKA Alexander Wiegand SE & Co. KG.
- Weitere Informationen:
 - Internet-Adresse: www.wika.de / www.wika.com
 - Kontakt: info@wika.de
Tel.: +49 9372 132-0
PE 81.86
 - Datenblatt: Im Lieferumfang
 - Testreport: Technische Information IN 00.14 unter www.wika.de
 - Einschraublöcher für Prozessanschlüsse: Technische Information IN 00.50 unter www.wika.de
 - Elektrische Montage: www.wika.de / www.wika.com
 - Zulassungen und Herstellererklärungen:

DE

2. Kurzübersicht

2. Kurzübersicht

2.1 Übersicht



- ① Bestätigungstaste
- ② INFO-Taste
- ③ Digitalanzeige
- ④ Statusanzeige, Schaltausgänge
- ⑤ MENU-Taste
- ⑥ Elektrischer Anschluss
- ⑦ Prozessanschluss, Schlüsselfläche
- ⑧ Prozessanschluss, Gewinde

2. Kurzübersicht

2.2 Anzeige- und Bedieneinheit

Status Schaltausgang 2 (optional)

Status Schaltausgang 1

Displaymodus

- ▶ Kurze Betätigung
Anzeige der Einheit
- ▶ Lange Betätigung
Anzeige der eingestellten Parameter
siehe Kapitel 5.3 „Übersicht der Parameter“

Programmiermodus

- ▶ Kurze Betätigung
Menü aufwärts
Parameterwert aufwärts (schrittweise)
- ▶ Lange Betätigung
Menü aufwärts
Parameterwert aufwärts (schnell)



4-stellige LED-Anzeige

- Anzeige Druckwert
- Anzeige Menüpunkt
- Anzeige Parameter

Displaymodus

- ▶ Kurze Betätigung
Anzeige der Einheit
- ▶ Lange Betätigung
Sprung in den Programmiermodus

Programmiermodus

- ▶ Kurze Betätigung
Menü abwärts
Parameterwert abwärts (schrittweise)
- ▶ Lange Betätigung
Menü abwärts
Parameterwert abwärts (schnell)

Displaymodus

- ▶ Kurze Betätigung
Anzeige der Einheit

Programmiermodus

- ▶ Kurze Betätigung
Auswahl Menüpunkt
Bestätigung der Eingabe

DE

3. Sicherheit

3. Sicherheit

3.1 Symbol- und Begriffserklärung



WARNUNG!

Das Signalwort bezeichnet eine Gefährdung mit einem mittleren Risikograd, die, wenn sie nicht vermieden wird, den Tod oder eine schwere Verletzung zur Folge haben kann.



VORSICHT!

Das Signalwort bezeichnet eine Gefährdung mit einem niedrigen Risikograd, die, wenn sie nicht vermieden wird, eine geringfügige oder mäßige Verletzung zur Folge haben kann.



Information

Das Signalwort hebt nützliche Tipps und Empfehlungen sowie Informationen für einen effizienten und störungsfreien Betrieb hervor.

3.2 Bestimmungsgemäße Verwendung

Der Druckschalter darf nur in solchen Anwendungen verwendet werden, die innerhalb seiner technischen Leistungsgrenzen, insbesondere hinsichtlich dessen Materialbeständigkeitsgrenze, Grenzleckagerate sowie zulässigen Temperatur- und Druckgrenzwerten liegen.

Es obliegt allein der Verantwortung des Herstellers bzw. Betreibers einer Maschine oder Anlage die Eignung des Druckschalters und dessen Messstoffbeständigkeit in der Anwendung durch korrekte Materialwahl und Wartungszyklen sicherzustellen. Leistungsgrenzen siehe Kapitel 9 „Technische Daten“.

Sonderausführungen für öl- und fettfreie Anwendungen sowie den Einsatz mit Sauerstoff (gefährliches Fluid gemäß Richtlinie 2014/68/EU Artikel 13, Verordnung (EG) Nr. 1272/2008, bzw. GHS ¹⁾) sind auf Anfrage erhältlich.

Die Montage, Demontage, Installation, Parametrierung und Wartung des Druckschalters im industriellen Umfeld erfordert unbedingt geeignetes Fachpersonal gemäß Kapitel 3.4 „Personalqualifikation“.

Das Gerät ist ausschließlich für den hier beschriebenen bestimmungsgemäßen Verwendungszweck konzipiert und konstruiert und darf nur dementsprechend verwendet werden.

Ansprüche jeglicher Art aufgrund von nicht bestimmungsgemäßer Verwendung sind ausgeschlossen.

1) Globally Harmonized System of Classification, Labelling and Packaging of Chemicals

3. Sicherheit

3.3 Fehlgebrauch

Jede über die bestimmungsgemäße Verwendung hinausgehende oder andersartige Benutzung gilt als Fehlgebrauch. Folgende Punkte gelten insbesondere als Fehlgebrauch und sind nicht zulässig:

- Einsatz in Sicherheits- oder in Not-Aus-Einrichtungen
- Eigenmächtige Umbauten am Druckschalter
- Einsatz in explosionsgefährdeten Bereichen
- Einsatz mit abrasiven oder instabilen Fluiden, insbesondere Wasserstoff

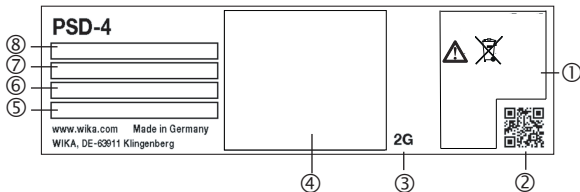
3.4 Personalqualifikation

Fachpersonal

Das vom Betreiber autorisierte Fachpersonal muss aufgrund seiner fachlichen Ausbildung, seiner Kenntnisse der Mess- und Regelungstechnik und seiner Erfahrungen sowie Kenntnis der landesspezifischen Vorschriften, geltenden Normen und Richtlinien in der Lage sein, die beschriebenen Arbeiten auszuführen und mögliche Gefahren selbstständig zu erkennen.

3.5 Beschilderung, Sicherheitskennzeichnungen

Typenschild (Beispiel)



① Zulassungen und Konformitäten

② QR-Code zur WIKA Seriennummer-Applikation

③ Kodiertes Herstelldatum

④ Anschlussbelegung und technische Daten

⑤ Seriennummer

⑥ Artikelnummer

⑦ Messbereich

⑧ IO-Link Version (Option)



Vor Montage und Inbetriebnahme des Gerätes unbedingt die Betriebsanleitung lesen!

3. Sicherheit / 4. Montage



Nicht mit dem Hausmüll entsorgen. Für eine geordnete Entsorgung gemäß nationaler Vorgaben sorgen.

4. Montage

4.1 Mechanische Montage

Den Druckschalter nur in sicherheitstechnisch einwandfreiem Zustand einsetzen.

Vor der Inbetriebnahme den Druckschalter optisch prüfen.

- Auslaufende Flüssigkeit weist auf eine Beschädigung hin.
- Offensichtliche Schäden unverzüglich mitteilen.
- Bei hoher Umgebungstemperatur und hoher UV-Bestrahlung ist der Druckschalter mit einer zusätzlichen Beschattung zu installieren, um Schäden an Digitalanzeige und Tasten zu vermeiden.

Angaben zu Einschraubblöchern und Einschweißstutzen siehe Technische Information IN 00.14 unter www.wika.de

Montagehinweise für Prozessanschlüsse G 1 Hygienic und TRI-CLAMP®

- Versiegelte Füllschrauben am Messgerät niemals lösen.
- Zur Montage müssen entsprechend der Fittings- und Flanschnormen geeignete Befestigungsteile, wie Schrauben, Muttern oder Clampringe, verwendet werden.
- Zum Anflanschen nur Dichtungen mit ausreichend großem Innendurchmesser verwenden und die Dichtung zentrisch einlegen. Membranberührungen führen zu Messabweichungen.
- Bei Verwendung eines Einschweißstutzens, diesen so positionieren, dass die Bohrung zur Leckageerkennung nach unten zeigt. Den Einschweißstutzen bündig zur Innenwand des Behälters einschweißen und verschleifen. Die Oberflächenrauheit der verschliffenen Flächen muss $Ra \leq 0,8 \mu\text{m}$ betragen. Zur Einhaltung der 3-A Richtlinien ist immer eine Leckagebohrung von min. 2,38 mm (0,09 in.) an der niedrigsten Stelle vorzusehen.
- Bei Einsatz von Weichstoff- bzw. PTFE-Dichtungen die Vorschriften des Dichtungsherstellers, insbesondere hinsichtlich Anzugsdrehmoment und Setzzyklen, beachten.

G 1 Hygienic

- Messstoffberührte Dichtung aus EPDM oder FKM
- Passend zu WIKA-Adaptersystem Typ 910.61
- Für Abmessungen der zugehörigen Prozessadapter und Einschweißstutzen siehe WIKA-Datenblatt AC 09.20

4. Montage

TRI-CLAMP®

EHEDG-Konformität mit Anschluss Clamp nur in Kombination mit einer T-Ringdichtung von Combit International B.V.

Zusätzliche Montagehinweise für Prozessanschlüsse mit EHEDG und 3-A Zulassungen

Nachfolgende Hinweise, insbesondere für EHEDG-zertifizierte und 3-A-konforme Geräte, beachten.

- Zur Einhaltung der EHEDG-Zertifizierung muss ein von der EHEDG empfohlener Prozessanschluss verwendet werden. Diese sind mit Logo im Datenblatt gekennzeichnet.
- Für eine EHEDG-konforme Anbindung müssen Dichtungen gemäß aktuellem EHEDG-Positionspapier verwendet werden.
- Zur Einhaltung der Konformität nach 3-A-Standards muss ein 3-A-konformer Prozessanschluss verwendet werden. Diese sind mit Logo im Datenblatt gekennzeichnet.
- Den Prozessanschluss tottraumarm und leicht reinigbar montieren.
- Die Einbaulage darf keine schöpfende Stelle bilden oder eine Spülbeckenbildung verursachen.

DE

4.2 Elektrische Montage

Elektrischer Anschluss an die Spannungsversorgung

→ Hilfsenergie siehe Typenschild oder Anschlusschema

Anschlussbelegung

→ Anschlussbelegungen siehe Typenschild oder Anschlusschema

Rundstecker M12 x 1 (4-polig)		
	U+	1
	U-	3
	S+	2
	SP1/C 1)	4
	SP2	2

Rundstecker M12 x 1 (5-polig)		
	U+	1
	U-	3
	S+	5
	SP1/C	4
	SP2	2

1) Je nach Konfiguration der Ausgangssignale

Legende:

U+ Positiver Versorgungsanschluss
U- Negativer Versorgungsanschluss
S+ Analogausgang

SP1 Schaltausgang 1
SP2 Schaltausgang 2
C Kommunikation mit IO-Link

4. Montage / 5. Inbetriebnahme

Für Geräte ohne nordamerikanische Zertifizierung

Dies ist ein Betriebsmittel zum Betrieb mit Kleinspannungen, die von der Netzspannung AC 230 V (50 Hz) - oder Spannungen größer AC 50 V bzw. DC 120 V für trockene Umgebungen - getrennt sind. Empfohlen ist ein Anschluss an einen SELV-Stromkreis oder alternativ an Stromkreise mit einer anderen Schutzmaßnahme nach der Installationsnorm IEC 60364-4-41.

DE

Für Geräte mit nordamerikanischer Zertifizierung nach UL/CSA IEC 61010-1

Die Versorgung des Druckschalters muss durch einen energiebegrenzten Stromkreis gemäß 9.3 der UL/EN/IEC 61010-1 oder LPS gemäß UL/EN/IEC 62368-1 oder Class 2 gemäß UL1310/UL1585 (NEC oder CEC) erfolgen. Die Spannungsversorgung muss für den Betrieb oberhalb 2.000 m geeignet sein, falls der Druckschalter ab dieser Höhe verwendet wird.

Druckschalter über Prozessanschluss in den Potenzialausgleich einbeziehen oder an Masse (Erde) anschließen.

5. Inbetriebnahme

Nur Originalteile und -zubehör verwenden, siehe Datenblatt PE 81.86 unter „Zubehör“.

5.1 Einstellbarkeit des Nullpunktes

Bei der Inbetriebnahme den angezeigten Nullpunkt auf Digitalanzeige überprüfen. Sollte einbaubedingt ein Nullpunkt-Offset angezeigt werden, kann dieser im Programmiermodus mit dem Parameter 0SET zurückgesetzt werden. Die Einstellung bei Relativdruck- und Vakuummessbereichen nur im drucklosen Zustand durchführen.



Bei Absolutdruckmessbereichen ist die Einstellung bei 0 bar absolut (Vakuum) durchzuführen. Da hierfür entsprechende Referenzen erforderlich sind, empfehlen wir dies nur vom Hersteller durchführen zu lassen.

5.2 Betriebsmodi

Modus	Beschreibung
Systemstart	Digitalanzeige wird 1 sek. lang vollständig angesteuert Bei Start des Druckschalters im Bereich der Hysterese wird standardmäßig der Ausgangsschalter auf „nicht-aktiv“ gesetzt

5. Inbetriebnahme

Modus	Beschreibung
Programmiermodus (Einstellen der Parameter)	<p>Programmiermodus aktivieren Taste „MENU“ etwa 2 sek. lang betätigen. Falls Passwort ≠ 0000 gesetzt ist, erfolgt eine Passwortabfrage. Bei erfolgreicher Bestätigung erfolgt der Zugang zum Programmiermodus, ansonsten erfolgt Rücksprung in Displaymodus.</p> <p>Timeout Wird während der Einstellung eines Parameters 60 s lang keine Taste gedrückt, kehrt das Gerät mit unverändertem Wert in den Displaymodus zurück.</p>
Displaymodus (Normaler Arbeitsbetrieb, Anzeige Druckwert)	<p>Rücksprung in den Displaymodus Gleichzeitige Betätigung von „INFO“ und „MENU“</p>

DE

5.3 Übersicht der Parameter

Menüpunkt	Beschreibung	Parameter	Werkseinstellung
SP1/SP2	Hysteresefunktion: Schaltpunkt (Schaltausgang 1/2)	0,25 ... 100 % des Messbereiches	Nenndruck
FH1/FH2	Fensterfunktion: Fenster High (Schaltausgang 1/2)	0,25 ... 100 % des Messbereiches	Nenndruck
RP1/RP2	Hysteresefunktion: Rückschaltpunkt, Schaltausgang (1 ggf. 2)	0 ... (Schaltpunkt - 0,25 % des Messbereiches)	Nenndruck - 10 %
FL1/FL2	Fensterfunktion: Fenster Low Schaltausgang (1 ggf. 2)	0 ... (Fenster High - 0,25 % des Messbereiches)	Nenndruck - 10 %
EF	Erweiterte Programmierfunktionen		
RES	Rücksetzen der eingestellten Parameter auf die Werkseinstellungen	Yes/No	
DS1/DS2	Schaltverzögerungszeit, die ununterbrochen anstehen muss, bis ein elektrischer Signalwechsel erfolgt (SP1 ggf. SP2)	0,00 ... 65,00 s	0,00 s
DR1/DR2	Rückschaltverzögerungszeit, die ununterbrochen anstehen muss, bis ein elektrischer Signalwechsel erfolgt (RP1 ggf. RP2)	0,00 ... 65,00 s	0,00 s

14208834.02 12/2022 EN/DE/FR/ES

5. Inbetriebnahme

Menüpunkt	Beschreibung	Parameter	Werkseinstellung
OU1/OU2	Schaltfunktion (Schaltausgang 1/2)	HNO = Hysteresefunktion, Schließer HNC = Hysteresefunktion, Öffner FNO = Fensterfunktion, Schließer FNC = Fensterfunktion, Öffner	HNO
OU3	Umschaltung Ausgangssignal	I = 4 ... 20 mA U = DC 0 ... 10 V	I
POL1/POL2	Schaltlogik (Schaltausgang 1/2)	PNP, NPN	PNP
ALOW	Messbereichsskalierung/Turndown (Analogwert, Startwert)	entsprechend Analogausgang	Messbereichsanfang
AHGH	Messbereichsskalierung/Turndown (Analogwert, Endwert)	entsprechend Analogausgang	Messbereichsende
AVGD	Dämpfung (Digitalanzeige)	0,00 ... 65,00 s	0,20 s
AVG1/AVG2	Dämpfung (Schaltausgang 1/2)	0,00 ... 65,00 s	0,00 s
AVG3	Dämpfung (Analogsignal)	0,00 ... 65,00 s	0,00 s
UNIT	Umschaltung Einheiten	BAR, mBAR, MPA, KPA, PSI, KGcm (kg/cm ²), %	Auftragsbezogen
0SET	Einstellbarkeit des Nullpunktes/ Ausführung „Autozero“ (max. ±3 % der Spanne)	Yes/No	
DISM	Anzeigewert im Displaymodus	ACT = Aktueller Systemdruck LOW, HIGH = Min-/Max-Systemdruck OFF = Anzeige aus SP1/FH1 = eingestellter Schaltwert RP1/FL1 = eingestellter Schaltwert SP2/FH2 = eingestellter Schaltwert RP2/FL2 = eingestellter Schaltwert	ACT
DISU	Aktualisierungsrate (Digitalanzeige)	1, 2, 5, 10 Aktualisierungen/Sekunde	5
DIRS	Darstellung drehen 180° (Digitalanzeige)	Yes/No	

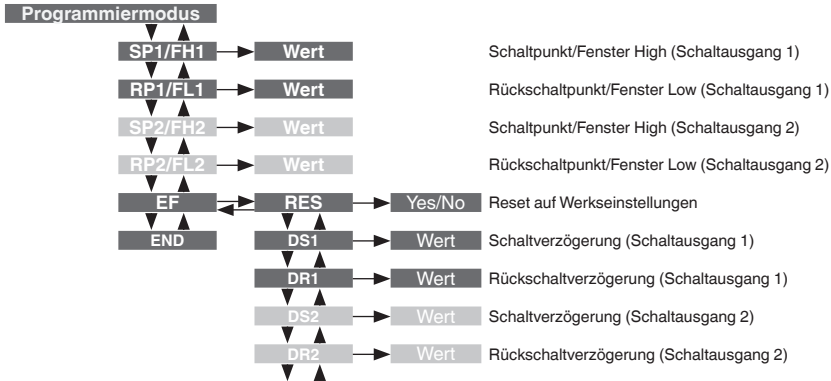
5. Inbetriebnahme

Menüpunkt	Beschreibung	Parameter	Werkseinstellung
DRES	Auflösung (Digitalanzeige)	OPT = Optimiert (stabile Messwertanzeige mit auf den Messbereich optimierten Rundungsfaktoren der letzten Ziffer) FULL = Maximal (feinste Auflösung, ggf. muss für eine stabile Messwertanzeige eine Dämpfung der Digitalanzeige eingestellt werden)	OPT
RHL	Speicher löschen (Min-/Max-Systemdruck)	Yes/No	
PAS	Passworteingabe	0000 = kein Passwort Passworteingabe Digit by Digit	0000
TAG	Messgerätename (TAG)	Bis zu 32 Zeichen lang (A-Z ,0 ... 9; - ,LEER) (2 Leerzeichen in Folge beenden die Eingabe und führen zum Löschen dieser und der dahinter liegenden Zeichen)	Ohne

DE

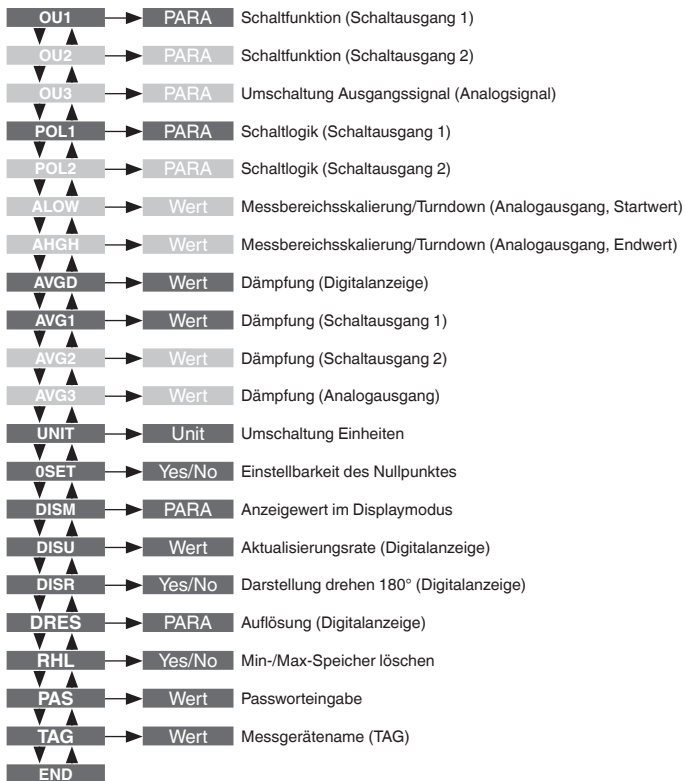
5.4 Menübaum

Bestimmte Menüpunkte (hellgrau) werden nur angezeigt, wenn der Druckschalter über die jeweilige Option verfügt.



14208834.02 12/2022 EN/DE/FR/ES

5. Inbetriebnahme



6. Störungen

6. Störungen



VORSICHT!

Körperverletzungen, Sach- und Umweltschäden

Können Störungen mit Hilfe der aufgeführten Maßnahmen nicht beseitigt werden, Druckschalter unverzüglich außer Betrieb setzen.

- ▶ Sicherstellen, dass kein Druck bzw. Signal mehr anliegt und gegen versehentliche Inbetriebnahme schützen.
- ▶ Kontakt mit dem Hersteller aufnehmen.
- ▶ Bei notwendiger Rücksendung die Hinweise unter Kapitel 8.2 „Rücksendung“ beachten.



Kontaktdaten siehe Kapitel 1 „Allgemeines“ oder Rückseite der Betriebsanleitung.

Bei Störungen zuerst überprüfen, ob der Druckschalter mechanisch und elektrisch korrekt montiert ist.

Störung	Mögliche Ursache	Maßnahme
Kein Ausgangssignal	Leitungsbruch	Durchgang überprüfen
Kein Ausgangssignal	Keine/Falsche Hilfsenergie	Hilfsenergie korrigieren
Kein/Falsches Ausgangssignal	Verdrahtungsfehler oder Umschaltung der Schaltlogik/Analogsignal	Anschlussbelegung beachten
		Ausgangskonfiguration prüfen
Gleichbleibendes Ausgangssignal bei Druckänderung	Mechanische Überlastung durch Überdruck	Gerät austauschen; bei wiederholtem Ausfall Rücksprache mit Hersteller
Abweichendes Nullpunktsignal	Überdruckgrenze überschritten	Zulässige Überdruckgrenze einhalten
Signalspanne zu klein	Mechanische Überlastung durch Überdruck	Gerät austauschen; bei wiederholtem Ausfall Rücksprache mit Hersteller
Signalspanne zu klein	Hilfsenergie zu hoch/niedrig	Hilfsenergie korrigieren
Signalspanne fällt ab	Feuchtigkeit eingetreten	Kabel korrekt montieren
Signalspanne fällt ab/zu klein	Membranbeschädigung, z. B. durch Schläge, abrasiven/aggressiven Messstoff; Korrosion an Membrane/Prozessanschluss	Hersteller kontaktieren und Gerät austauschen

6. Störungen

Warnungen und Fehler

Über die Digitalanzeige werden geräteinterne Warnungen und Fehler ausgegeben. Das Gerät misst bei anstehender Warnung weiter. Das Ausgangssignal und die Schaltausgänge werden weiterhin ausgegeben. Folgende Tabelle zeigt die Codes und deren Bedeutung.

Warnung	Beschreibung
ATT1	Bei Änderung des Schaltpunkts wurde der Rückschaltpunkt vom Gerät automatisch um die kleinste Hysterese von 0,25 % herabgesetzt.
ATT2	Einstellbarkeit des Nullpunktes, anstehender Druck außerhalb der Grenzen
ATT3	Passworteingabe für Menüzugang fehlerhaft
ATT4	Einheit auf Digitalanzeige nicht darstellbar, vorherige Einheit wird verwendet
ATT5	Maximaler Turndown überschritten
ILOC	Menü über IO-Link gesperrt
OL	Überdruck, Messbereich überschritten > ca. 3,125 % (Digitalanzeige blinkt)
PAS	Aufforderung zur Passworteingabe
UL	Unterlastdruck, Messbereich unterschritten < ca. 3,125 % (Digitalanzeige blinkt)

Fehler	Beschreibung
ERR	Interner Fehler (Geräteneustart oder Rücksetzen auf Werkseinstellung kann Abhilfe schaffen) Der Analogausgang steuert das Alarmsignal $\leq 3,6 \text{ mA}$ (4 ... 20 mA-Ausgangssignal) bzw. $\geq 11 \text{ V}$ (0 ... 10 V-Ausgangssignal) gemäß NAMUR43 aus Die Schaltausgänge behalten den aktuellen Schaltzustand bei (Ausgang offen bzw. geschlossen)
ERR1	Gerätetemperatur über-/unterschritten oder Hilfsenergie unterschritten Der Analogausgang wird ausgegeben. Es bestehen Einschränkungen hinsichtlich Genauigkeit (Temperatureinfluss) und maximalem Analogwert (Hilfsenergie unterschritten) Die Schaltausgänge behalten den aktuellen Schaltzustand bei (Ausgang offen bzw. geschlossen)

6. Störungen / 7. Wartung und Reinigung

Fehler	Beschreibung
ERR2	Sensordefekt erkannt, prüfen ob hoher Überdruck ansteht (kann als Sensordefekt detektiert werden), ggf. Geräteeustart oder Geräte austausch notwendig Der Analogausgang steuert das Alarmsignal $\leq 3,6 \text{ mA}$ (4 ... 20 mA-Ausgangssignal) bzw. $\geq 11 \text{ V}$ (0 ... 10 V-Ausgangssignal) gemäß NAMUR43 aus Die Schaltausgänge behalten den aktuellen Schaltzustand bei (Ausgang offen bzw. geschlossen)
SC	Kurzschluss an Schaltausgang 1 oder 2 erkannt Der betroffene Schaltausgang ist inaktiv, solange der Kurzschluss vorliegt

DE

Warnungen und Fehler mit Bestätigungstaste bestätigen.

7. Wartung und Reinigung

7.1 Wartung

Dieser Druckschalter ist wartungsfrei.

Reparaturen sind ausschließlich vom Hersteller durchzuführen.

7.2 Reinigung

Nur handelsübliche und lösungsmittelfreie Reinigungsmittel verwenden.

7.3 Reinigungsprozess Cleaning-in-Place (CIP)

Nachfolgende Hinweise gelten nur für Geräte, die im Datenblatt als CIP-geeignet gekennzeichnet sind.

- Bei Reinigung von außen („Wash Down“) zulässige Temperatur und Schutzart beachten.
- Nur Reinigungsmittel verwenden, die für die eingesetzten Dichtungen geeignet sind.
- Reinigungsmittel dürfen weder abrasiv sein noch die Werkstoffe der messstoffberührten Teile korrosiv angreifen.
- Temperaturschocks oder schnelle Temperaturänderungen vermeiden. Die Temperaturdifferenz zwischen Reinigungsmittel und Klarspülung mit Wasser sollte möglichst gering sein. Negativbeispiel: Reinigung mit 80 °C [176 °F] und Klarspülung mit 4 °C [39 °F] kaltem Wasser.

8. Demontage, Rücksendung und Entsorgung

8. Demontage, Rücksendung und Entsorgung

8.1 Demontage



WARNUNG!

Gefährliche Messstoffe

- ▶ Am Gerät können im Fehlerfall aggressive Messstoffe mit extremer Temperatur und unter hohem Druck oder Vakuum anliegen.
- ▶ Druckschalter vor Demontage druck- und stromlos schalten.

8.2 Rücksendung



WARNUNG!

Körperverletzungen, Sach- und Umweltschäden durch Messstoffreste

Messstoffreste im ausgebauten Gerät können zur Gefährdung von Personen, Umwelt und Einrichtung führen.

- ▶ Bei Gefahrenstoffen das Sicherheitsdatenblatt für den entsprechenden Messstoff beilegen.

Beim Versand des Gerätes unbedingt beachten:

Alle an WIKA gelieferten Geräte müssen frei von Gefahrstoffen (Säuren, Laugen, Lösungen, etc.) sein und sind daher vor der Rücksendung zu reinigen.

Zur Rücksendung des Gerätes die Originalverpackung oder eine geeignete Transportverpackung verwenden.



Hinweise zur Rücksendung befinden sich in der Rubrik „Service“ auf unserer lokalen Internetseite.

Durch falsche Entsorgung können Gefahren für die Umwelt entstehen.

Gerätekomponenten und Verpackungsmaterialien entsprechend den landesspezifischen Abfallbehandlungs- und Entsorgungsvorschriften umweltgerecht entsorgen.



Nicht mit dem Hausmüll entsorgen. Für eine geordnete Entsorgung gemäß nationaler Vorgaben sorgen.

9. Technische Daten

9. Technische Daten

Abhängig von der gewählten Geräteausführung (z. B. Dichtungen) kann die Spezifikation von den hier aufgeführten Technischen Daten abweichen. Führend sind die Angaben in den Bestellunterlagen.

Weitere technische Daten siehe WIKA-Datenblatt PE 81.86.

Technische Daten

Messbereich	→ Siehe Typenschild
Maximaler Arbeitsdruck	→ Entspricht dem oberen Messbereichswert / Messbereichsendwert
Überdruckgrenze ¹⁾	
Messbereiche ≤ 600 bar [≤ 7.500 psi]	2-fach
Messbereich 1.000 bar [14.500 psi]	1,48-fach
Max. Messfehler nach IEC 61298-2	≤ ±0,5 % der Spanne
Genauigkeit des Schaltpunktes	≤ ±0,5 % der Spanne
Schaltstrom	Max. 250 mA je Schaltausgang
Schaltspannung	Hilfsenergie - 1 V
Temperaturfehler bei 0 ... 80 °C [32 ... 176 °F]	
Für alle Prozessanschlüsse mit Druckkanal	≤ ±1,5 % der Spanne
Bei erhöhter Überdruckgrenze und Prozessanschluss G ½ B frontbündig	≤ ±2,5 % der Spanne
Für Prozessanschlüsse G 1 Hygienic und TRI-CLAMP® 1 ½" und 2"	≤ ±3,5 % der Spanne
Vakuumfestigkeit	Ja
Ausgangssignal	→ Siehe Typenschild
Hilfsenergie	DC 15 ... 35 V
Stromaufnahme	Max. 600 mA inklusive Schaltstrom
Anschlussbelegung	→ Siehe Typenschild und Anschlussschemen in Kapitel 4.2 „Elektrische Montage“
Kurzschlussfestigkeit	S+ / SP1 / SP2 gegen U-
Verpolungsschutz	U+ gegen U-
Isolationsspannung	DC 500 V

DE

9. Technische Daten

Technische Daten

Werkstoff (messstoffberührt)

Messbereiche < 10 bar [150 psi]	CrNi-Stahl 316L CrNi-Stahl 1.4435/316L bei Prozessanschlüssen G 1 Hygienic und TRI-CLAMP® 1 ½" und 2"
Messbereiche ≥ 10 bar [150 psi]	CrNi-Stahl 316L, PH-Stahl CrNi-Stahl 1.4435/316L bei Prozessanschlüssen G 1 Hygienic und TRI-CLAMP® 1 ½" und 2"

Druckübertragungsmedium

Für alle Relativdruck-Messbereiche < 10 bar [150 psi] ¹⁾ , alle Absolutdruck-Messbereiche und G ½ frontbündig	Synthetisches Öl
Bei Prozessanschlüssen G 1 Hygienic und TRI-CLAMP® 1 ½" und 2"	KN92 medizinisches Weißöl, FDA-konform nach CFR 172.878 und 21 CFR 178.3620(a); konform nach USP, EP und JP

Oberflächenrauheit der messstoffberührten Teile

Prozessanschluss G 1 Hygienic	Ra ≤ 0,8 µm (Schweißnaht ausgenommen)
Prozessanschluss TRI-CLAMP® 1 ½" und 2"	Ra ≤ 0,76 µm nach ASME BPE SF3 (Schweißnaht ausgenommen)

Optionen für spezielle Messstoffe

Öl- und fettfrei	Restkohlenwasserstoff	< 1.000 mg/m ²
Sauerstoff, öl- und fettfrei	Restkohlenwasserstoff	< 200 mg/m ²
	Max. zulässige Temperatur	-20 ... +60 °C [-4 ... +140 °F]

Messstofftemperaturgrenze

Prozessanschlüsse mit Druckkanal und G ½ B frontbündig	-20 ... +85 °C [-4 ... +185 °F]
Prozessanschluss G 1 Hygienic	■ -20 ... +100 °C [-4 ... +212 °F] [+135 °C [+275 °F] max. 1h) ■ -20 ... +125 °C [-4 ... +257 °F] [+150 °C [+302 °F] max. 1h) (Option)
Prozessanschlüsse TRI-CLAMP® 1 ½" und 2"	-20 ... +100 °C [-4 ... +212 °F] [+135 °C [+275 °F] max. 1h)

Umgebungstemperaturgrenze

-20 ... +80 °C [-4 ... +176 °F]

Lagertemperaturgrenze

-20 ... +70 °C [-4 ... +158 °F]

Lebensdauer

Schaltwechsel	100 Millionen
Lastwechsel (Mechanik) ²⁾	100 Millionen bzw. 10 Millionen für Messbereiche > 600 bar/7.500 psi

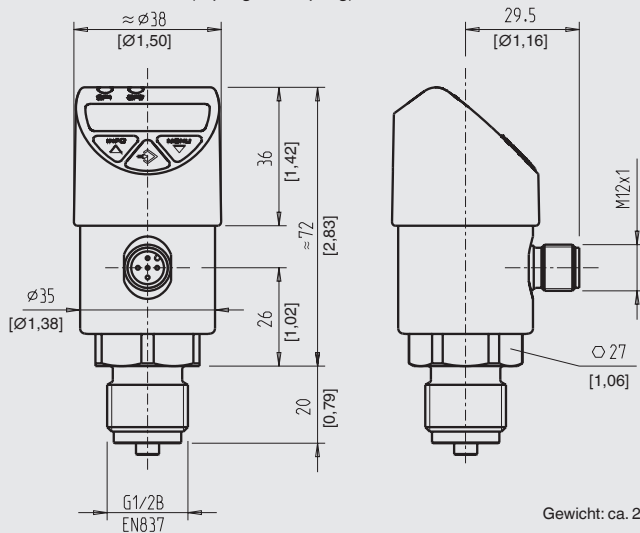
1) Die Überdruckgrenze bezieht sich auf das verwendete Sensorelement. Abhängig vom gewählten Prozessanschluss und der Dichtung können sich Einschränkungen in der Überdruckgrenze ergeben.

2) Nicht gültig für G 1 Hygienic und TRI-CLAMP® 1 ½" und 2"

9. Technische Daten

Abmessungen in mm [in]

Druckschalter mit Rundstecker M12 x 1 (4-polig und 5-polig)



Gewicht: ca. 220 g [7,76 oz]

Weitere technische Daten siehe WIKA-Datenblatt PE 81.86 und Bestellunterlagen.



DE

1. Généralités

1. Généralités

Lire le mode d'emploi avant de commencer toute opération ! A conserver pour une utilisation ultérieure !

- Ce mode d'emploi donne des indications importantes concernant l'utilisation du pressostat. Il est possible de travailler en toute sécurité avec ce produit en respectant toutes les consignes de sécurité et d'utilisation.
- Les conditions générales de WIKA Alexander Wiegand SE & Co. KG s'appliquent.
- Pour obtenir d'autres informations :
 - Consulter notre site Internet : www.wika.fr
 - Contact : Tél.: 0 820 95 10 10 (0,15 €/min)
info@wika.fr
 - Fiche technique : PE 81.86
 - Relevé de contrôle : Compris dans la livraison
 - Trous taraudés pour les raccords process : Informations techniques IN 00.14 sur www.wika.com
 - Montage électrique : Informations techniques IN 00.50 sur www.wika.com
 - Déclaration de conformité : Sur www.wika.fr

FR

2. Présentation rapide

2. Présentation rapide

2.1 Vue générale



- ① Touche de confirmation
- ② Touche INFO
- ③ Affichage numérique
- ④ Affichage d'état, sorties de commutation
- ⑤ Touche MENU
- ⑥ Raccordement électrique
- ⑦ Raccord process, six pans
- ⑧ Raccord process, filetage

2. Présentation rapide

2.2 Unité d'affichage et de fonctionnement

Statut de sortie de commutation 2 (en option)

Statut de sortie de commutation 1

Mode d'affichage

- ▶ Pression courte
Affichage de l'unité
- ▶ Pression longue
Pour l'affichage des paramètres réglés, voir le chapitre 5.2 "Vue générale des paramètres"

Mode de programmation

- ▶ Pression courte
Menu vers le haut
Valeur de paramètre haut (par étapes)
- ▶ Pression longue
Menu vers le bas
Valeur de paramètre vers le haut (rapidement)



Affichage LED 4 chiffres

- Affichage de la valeur de pression
- Affichage d'élément de menu
- Affichage de paramètre

Mode d'affichage

- ▶ Pression courte
Affichage de l'unité
- ▶ Pression longue
Saut dans le mode de programmation

Mode de programmation

- ▶ Pression courte
Menu vers le bas
Valeur de paramètre vers le bas (par étapes)
- ▶ Pression longue
Menu vers le bas
Valeur de paramètre vers le bas (rapidement)

Mode d'affichage

- ▶ Pression courte
Affichage de l'unité

Mode de programmation

- ▶ Pression courte
Sélection de l'élément de menu
Confirmation de l'entrée

FR

3. Sécurité

3. Sécurité

3.1 Explication des symboles et termes



AVERTISSEMENT !

Indique un danger avec un degré de risque moyen qui, s'il n'est pas évité, peut entraîner la mort ou des blessures graves.



ATTENTION !

Indique un danger avec un degré de risque faible qui, s'il n'est pas évité, peut entraîner une blessure mineure ou modérée.



Information

Met en exergue des conseils et recommandations utiles de même que des informations permettant d'assurer un fonctionnement efficace et normal.

3.2 Utilisation conforme à l'usage prévu

Le pressostat peut être utilisé uniquement dans des applications se trouvant dans les limites de ses performances techniques, en particulier en ce qui concerne la limite de résistance du matériau, les limites du taux de fuite et les limites de température admissible et de pression.

Il est de la seule responsabilité du fabricant ou de l'opérateur d'une machine ou d'une installation d'assurer l'aptitude du pressostat et sa résistance aux fluides dans les limites de l'application par le choix correct des matériaux et des cycles d'entretien. Pour les limites de performance voir chapitre 9 "Spécifications".

Des versions spéciales pour des applications exemptes d'huile et de graisse, ainsi que pour une utilisation avec de l'oxygène (fluide dangereux aux termes de la directive 2014/68/EU article 13, réglementation (CE) N° 1272/2008, ou GHS 1)), sont disponibles sur demande.

L'installation, le démontage, le montage, le paramétrage et l'entretien du pressostat dans des environnements industriels exige du personnel qualifié pour cela en conformité avec le chapitre 3.3 "Qualification du personnel".

L'instrument est conçu et construit exclusivement pour une utilisation conforme à l'usage prévu décrit ici et ne doit être utilisé qu'en conséquence.

Aucune réclamation ne peut être recevable en cas d'utilisation non conforme à l'usage prévu.

- 1) Globally Harmonized System of Classification, Labelling and Packaging of Chemicals (Système général harmonisé de classification, d'étiquetage et d'emballage des produits chimiques)

3. Sécurité

Utilisation inappropriée

Toute utilisation différente ou au-delà de l'utilisation prévue est considérée comme inappropriée.

Les points suivants, en particulier, sont considérés comme une utilisation inappropriée et ne sont pas autorisés :

- Utilisation de cet instrument dans des dispositifs de sécurité ou d'arrêt d'urgence
- Modifications non autorisées sur le pressostat
- Utilisation en zone explosive
- Utilisation avec des fluides abrasifs ou instables, en particulier avec de l'hydrogène

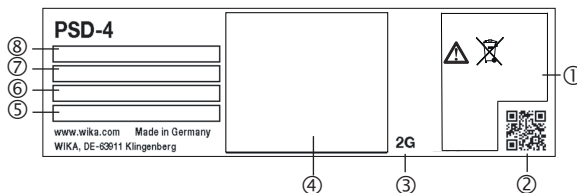
3.3 Qualification du personnel

Personnel qualifié

Le personnel qualifié, autorisé par l'opérateur, doit être, en raison de sa formation spécialisée, de ses connaissances dans le domaine de l'instrumentation de mesure et de régulation et de son expérience, de même que de sa connaissance des réglementations nationales et des normes en vigueur, en mesure d'effectuer les travaux décrits et d'identifier de façon autonome les dangers potentiels.

3.4 Etiquetage, marquages de sécurité

Plaque signalétique (exemple)



- | | |
|--|-------------------------------|
| ① Agréments et conformités | ⑤ Numéro de série |
| ② Code QR pour l'application de numéro de série WIKA | ⑥ Numéro d'article |
| ③ Date de fabrication codée | ⑦ Etendue de mesure |
| ④ Configuration du raccordement et spécifications | ⑧ Version IO Link (en option) |



Lire impérativement le mode d'emploi avant le montage et la mise en service de l'instrument !

3. Sécurité / 4. Installation



Ne pas mettre au rebut avec les ordures ménagères. Assurer une mise au rebut correcte en conformité avec les réglementations nationales.

4. Installation

4.1 Montage mécanique

Le pressostat ne doit être utilisé qu'en parfait état de sécurité technique.

Avant la mise en service, le pressostat doit être soumis à un contrôle visuel.

- L'existence d'une fuite de liquide indique des dommages.
- Communiquer immédiatement les dégâts constatés.
- Avec une température ambiante élevée et une forte irradiation UV, le pressostat doit être installé avec un revêtement supplémentaire afin d'éviter d'endommager l'afficheur et les touches.

Pour obtenir des informations concernant les trous taraudés et les embases à souder, voir les Informations techniques IN 00.14 sur www.wika.fr

Instructions d'installation pour les raccords process G 1 hygiéniques et TRI-CLAMP®

- Ne jamais desserrer les vis de remplissage scellées sur l'instrument de mesure.
- Pour l'installation, en accord avec les standards de montage et de bride, les assemblages tels que vis, écrous ou bagues de blocage doivent être utilisés.
- Pour une installation à bride, utiliser uniquement les joints d'étanchéité avec un diamètre intérieur suffisant et bien les centrer. Tout contact avec la membrane provoque des écarts de mesure.
- Lors de l'utilisation d'un raccord à souder, positionner celui-ci de sorte que le trou pour la détection de fuites pointe vers le bas. Souder le raccord à souder en affleurement avec la paroi intérieure de la cuve et meuler vers le bas. La rugosité de surface des surfaces meulées doit être $Ra \leq 0,8 \mu\text{m}$. Pour se conformer aux directives 3-A, prévoyez toujours un trou de fuite d'au moins 2,38 mm (0,09 in) à la position la plus basse.
- En cas d'utilisation de joints d'étanchéité doux ou de joints PTFE, observer les instructions du fabricant, tout particulièrement en ce qui concerne le couple de serrage et les cycles de charge.

G 1 hygiénique

- Joints d'étanchéité en contact avec le fluide de EPDM ou FKM
- Convient au système d'adaptateur WIKA type 910.61; voir fiche technique WIKA AC 09.20
- Pour les dimensions des adaptateurs process et des raccords à souder appropriés, voir fiche technique WIKA AC 09.20

4. Installation

TRI-CLAMP®

Conformité EHEDG avec raccord par clamp seulement en combinaison avec un joint T-Ring de chez Combifit Metaalbewerking B.V.

Instructions de montage supplémentaires pour les raccords process avec agréments EHEDG et 3-A

Observer les instructions suivantes, en particulier pour les instruments certifiés EHEDG et conformes 3-A.

- Pour maintenir la certification EHEDG, il faut utiliser l'un des raccords process recommandés EHEDG. Ceux-ci sont marqués du logo sur la fiche technique.
- Pour une connexion conforme EHEDG, il faut utiliser des joints d'étanchéité en accord avec le document de stratégie EHEDG actuel.
- Pour maintenir la conformité à l'étalon 3-A, il faut utiliser un raccord process conforme 3-A. Ceux-ci sont marqués du logo sur la fiche technique.
- Installer le raccord process avec un minimum d'espace mort et de manière à pouvoir le nettoyer facilement.
- La position d'installation ne doit pas former un point de vidange ni de rétention d'eau.

FR

4.2 Montage électrique


Raccordement électrique sur la tension d'alimentation

→ Pour la tension d'alimentation, voir la plaque signalétique ou le schéma de raccordement

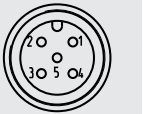
Configuration du raccordement

→ Pour la configuration du raccordement, voir la plaque signalétique ou le schéma de raccordement

Connecteur circulaire M12 x 1 (4 plots)

	U+	1
	U-	3
	S+	2
	SP1/C 1)	4
	SP2	2

Connecteur circulaire M12 x 1 (5 plots)

	U+	1
	U-	3
	S+	5
	SP1 / C	4
	SP2	2

1) Suivant la configuration des signaux de sortie

Légende :

U+ Borne d'alimentation positive
U- Borne d'alimentation négative
S+ Sortie analogique

SP1 Sortie de commutation 1
SP2 Sortie de commutation 2
C Communication avec IO-Link

4. Installation / 5. Mise en service

Pour des instrument sans certification nord-américaine

Cet équipement est prévu pour fonctionner avec des tensions faibles, qui sont séparées de l'alimentation secteur 230 VAC (50 Hz) ou de tensions supérieures à 50 VAC ou 120 VDC pour des environnements secs. Une connexion à un circuit SELV est recommandée, ou à des circuits avec une mesure de protection différente selon la norme d'installation CEI 60364-4-41.

Pour des instrument avec certification nord-américaine selon UL/CSA CEI 61010-1

L'alimentation électrique pour le capteur de pression doit être effectuée au moyen d'un circuit électrique limité en énergie en conformité avec la section 9.3 de UL/EN/CEI 61010-1 ou un LPS selon UL/EN/CEI 62368-1 ou classe 2 en conformité avec UL1310/UL1585 (NEC ou CEC). La tension d'alimentation doit être capable de fonctionner au-dessus de 2.000 m dans le cas où le pressostat serait utilisé à cette altitude.

Inclure le pressostat dans la liaison équipotentielle via le raccord process ou le raccorder à la terre (masse).

5. Mise en service

N'utiliser que des pièces et des accessoires d'origine, voir fiche technique PE 81.86 sous "Accessoires".

1.1 Possibilité de réglage du point zéro

Vérifiez le point zéro indiqué sur l'affichage numérique pendant la mise en service. Si un offset de point zéro est affiché en raison de l'installation, on peut réinitialiser ceci en mode programmation avec le paramètre 0SET.

Procédez au réglage du point zéro pour des étendues de mesure de pression relative et de vide seulement dans un état dépressurisé.



Pour des étendues de mesure de pression absolue, il faut effectuer le réglage à 0 bar absolu (vide). Comme des références appropriées sont ici nécessaires, nous recommandons que ceci soit effectué seulement par le fabricant.

5.1 Modes de fonctionnement

Mode	Description
Démarrage du système	L'affichage numérique est pleinement activé pendant 1 seconde. Lorsque le pressostat est actionné dans la gamme de l'hystérésis, le commutateur de sortie est mis sur "non activé" de manière standard.

5. Mise en service

Mode	Description
Mode de programmation (réglage des paramètres)	<p>Activation du mode de programmation Pressez la touche "MENU" pendant environ 2 secondes. Si le mot de passe est réglé sur ≠ 0000, on va vous demander un mot de passe. Si l'authentification est couronnée de succès, alors elle entre en mode programmation, sinon elle revient en mode affichage.</p> <p>Délai de temporisation Si, lors du réglage du paramètre, on ne presse aucune touche pendant 60 secondes, l'instrument revient au mode d'affichage avec la valeur inchangée.</p>
Mode d'affichage (fonctionnement normal, affichage de la valeur de pression)	<p>Retour au mode d'affichage On presse simultanément "INFO" et "MENU"</p>

FR

5.2 Vue générale des paramètres

Élément de menu	Description	Paramètres	Réglage d'usine
SP1/SP2	Fonction d'hystérésis : Point de seuil (sortie de commutation 1/2)	0,25 ... 100 % de l'étendue de mesure	Pression nominale
FH1/FH2	Fonction de fenêtre : Fenêtre élevée (sortie de commutation 1/2)	0,25 ... 100 % de l'étendue de mesure	Pression nominale
RP1/RP2	Fonction d'hystérésis : point de reset, sortie de commutation (1 ou 2)	0 ... (point de commutation - 0,25 % de l'étendue de mesure)	Pression nominale - 10 %
FL1/FL2	Fonction de fenêtre : fenêtre basse sortie de commutation (1 ou 2)	0 ... (fenêtre High - 0,25 % de l'étendue de mesure)	Pression nominale - 10 %
EF	Fonctions de programmation étendues		
RES	Réinitialiser les paramètres réglés aux valeurs d'usine	Oui/Non	
DS1/DS2	Durée de temporisation de commutation, qui doit se produire sans interruption avant que tout changement de signal électrique ne survienne (SP1, si applicable SP2)	0,00 ... 65,00 s	0,00 s

14208834.02_01/2023 EN/DE/FR/ES

5. Mise en service

Élément de menu	Description	Paramètres	Réglage d'usine
DR1/DR2	Remise à zéro de la durée de temporisation, qui doit se produire sans interruption avant que tout changement de signal électrique ne survienne (RP1, si applicable RP2)	0,00 ... 65,00 s	0,00 s
FR OU1/OU2	Fonction de commutation (sortie de commutation 1/2)	HNO = fonction d'hystérésis, normalement ouverte HNC = fonction d'hystérésis, normalement fermée FNO = fonction de fenêtre, normalement ouverte FNC = fonction de fenêtre, normalement fermée	HNO
OU3	Commutation du signal de sortie	I = 4 ... 20 mA U = DC 0 ... 10 V	I
POL1/POL2	Logique de commutation (sortie de commutation 1/2)	PNP, NPN	PNP
ALLOW	Mise à l'échelle de l'étendue de mesure/rangeabilité (valeur analogique, valeur de départ)	correspondant à la sortie analogique	Démarrage de l'étendue de mesure
AHGH	Mise à l'échelle de l'étendue de mesure/rangeabilité (valeur analogique, valeur finale)	correspondant à la sortie analogique	Fin de l'étendue de mesure
AVGD	Amortissement (affichage numérique)	0,00 ... 65,00 s	0,20 s
AVG1/AVG2	Amortissement (sortie de commutation 1/2)	0,00 ... 65,00 s	0,00 s
AVG3	Amortissement (signal analogique)	0,00 ... 65,00 s	0,00 s
UNITE	Commutation d'unité	BAR, mBAR, MPA, KPA, PSI, KGcm (kg/cm ²), %	Relatif à la commande
0SET	Possibilité de réglage du point zéro/exécution de "Autozero" (max. ±3 % de l'échelle)	Oui/Non	
DISM	Valeur d'affichage en mode affichage	ACT = valeur de pression actuelle LOW, HIGH = pression de système min/max OFF = affichage éteint SP1/FH1 = définir le point de commutation RP1/FL1 = définir le point de commutation SP2/FH2 = définir le point de commutation RP2/FL2 = définir le point de commutation	ACT

5. Mise en service

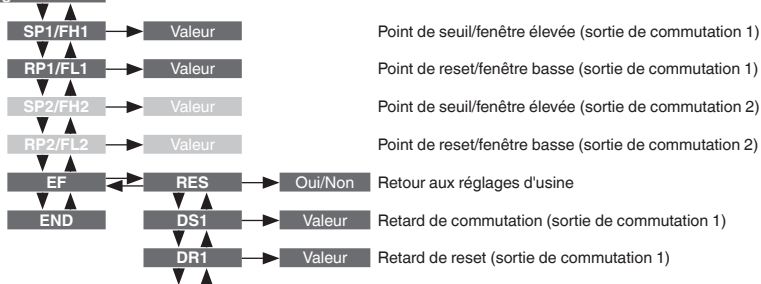
Elément de menu	Description	Paramètres	Réglage d'usine
DISU	Taux d'actualisation (affichage numérique)	1, 2, 5, 10 actualisations/seconde	5
DISR	Rotation de l'affichage de 180° (affichage numérique)	Oui/Non	
DRES	Résolution (affichage numérique)	OPT = valeur optimisée (valeur de mesure stable affichée avec des facteurs d'arrondissement pour le dernier chiffre, optimisée pour l'étendue de mesure) FULL = maximum (résolution la plus fine, si requise, pour un affichage stable de valeurs de mesure, il faut régler un amortissement pour l'affichage numérique)	OPT
RHL	Effacement de la mémoire (pression de système min/max)	Oui/Non	
PAS	Saisie du mot de passe	0000 = aucun mot de passe Saisie du mot de passe chiffre par chiffre	0000
TAG	Nom de l'instrument de mesure (TAG)	Jusqu'à 32 caractères (A-Z, 0 ... 9; -, SPACE) (2 espaces de suite terminent l'entrée et conduisent à l'effacement de ces caractères et des caractères sous-jacents)	Sans

FR

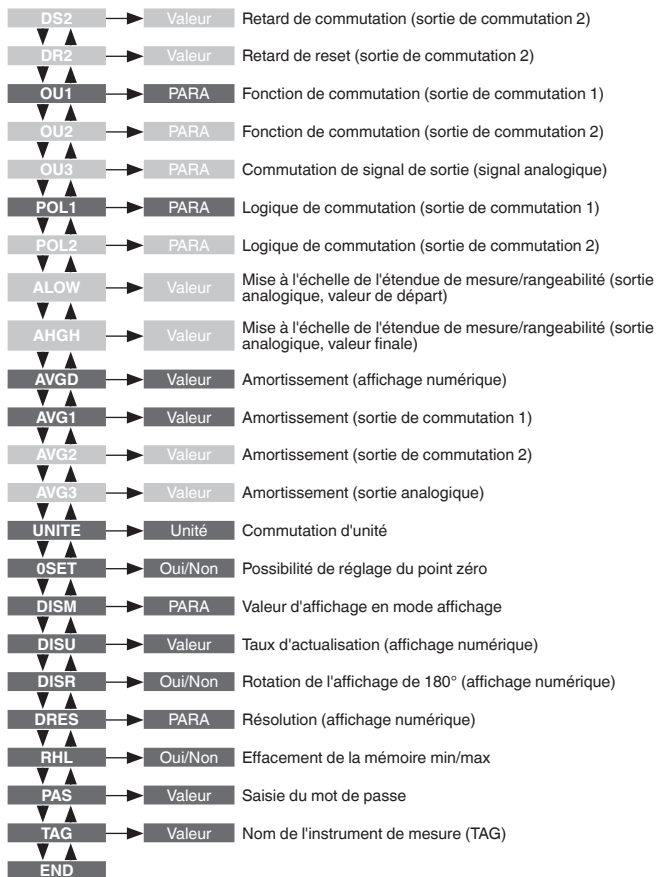
5.3 Arborecence de menu

Certains points de menu (gris clair) sont affichés seulement si le pressostat est muni de l'option en question.

Mode de programmation



5. Mise en service



6. Dysfonctionnements

6. Dysfonctionnements



ATTENTION !

Blessures physiques et dommages aux équipements et à l'environnement

Si des pannes ne peuvent être éliminées au moyen des mesures ici énumérées, le pressostat doit être immédiatement mis hors service.

- ▶ S'assurer que la pression ou le signal n'est plus présent et protéger contre une mise en service accidentelle.
- ▶ Contacter le fabricant.
- ▶ S'il est nécessaire de retourner l'instrument au fabricant, prière de respecter les indications mentionnées au chapitre 8.2 "Retour".



Pour le détail des contacts, merci de consulter le chapitre "☰" ou le dos du mode d'emploi.

Dans le cas de pannes, vérifier d'abord si le pressostat est monté correctement, mécaniquement et électriquement.

Défaut	Cause possible	Mesure
Pas de signal de sortie	Câble sectionné	Vérifier la continuité
Pas de signal de sortie	Aucune ou mauvaise tension d'alimentation	Corriger la tension d'alimentation
Signal de sortie absent/incorrect	Erreur de câblage ou commutation de logique de commutation/de signal analogique	Observer la configuration du raccordement Vérifier la configuration de sortie
Signal de sortie constant après une variation de pression	Surcharge mécanique causée par une surpression	Remplacer l'instrument ; s'il tombe en panne de manière répétée, contacter le fabricant
Déviatoin du signal de point zéro	Limite de surpression dépassée	Respecter la limite de surpression admissible
Plage de signaux trop petite	Surcharge mécanique causée par une surpression	Remplacer l'instrument ; s'il tombe en panne de manière répétée, contacter le fabricant
Plage de signaux trop petite	Tension d'alimentation trop forte ou trop faible	Corriger la tension d'alimentation
Plage de signaux tombe	De l'humidité a pénétré	Monter le câble correctement
Plage de signaux en chute/trop petite	Membrane endommagée, par exemple à cause d'impacts, de fluides abrasifs ou agressifs ; corrosion sur la membrane/le raccord process	Contacter le fabricant et remplacer l'instrument

FR

6. Dysfonctionnements

Avertissements et erreurs

Les avertissements et les erreurs internes de l'instrument sont indiqués par affichage numérique. L'instrument continue à mesurer, même s'il y a un avertissement. Le signal de sortie et les sorties de commutation sont toujours affichés. Le tableau suivant indique les codes et leur signification.

Avertissement	Description
ATT1	Lorsqu'on change le point de seuil, le point de reset de l'instrument est réduit automatiquement à l'hystérésis minimale de 0,25 %.
ATT2	Possibilité de réglage du point zéro, la pression actuelle est en-dehors des limites
ATT3	Le mot de passe saisi pour l'accès au menu est incorrect
ATT4	L'unité ne peut s'afficher sur l'affichage numérique, c'est l'unité précédente qui est utilisée
ATT5	Rangeabilité maximale dépassée
ILOC	Menu bloqué sur IO-Link
OL	Suppression, étendue de mesure dépassée > environ 3,125 % (l'affichage numérique clignote)
PAS	Demande de saisie de mot de passe
UL	Vide, en-dessous de l'étendue de mesure < environ 3,125 % (l'affichage numérique clignote)

Erreur	Description
ERR	Erreur interne (le fait de redémarrer l'instrument ou de revenir aux réglages d'usine peut apporter une solution) La sortie analogique contrôle le signal d'alarme $\leq 3,6$ mA (signal de sortie 4 ... 20 mA) ou ≥ 11 V (signal de sortie 0 ... 10 V) en conformité avec NAMUR43 Les sorties de commutation conservent l'état de commutation actuel (sortie ouverte ou fermée)
ERR1	Température de l'instrument dépassée/trop basse ou tension d'alimentation trop faible La sortie analogique est affichée. Il y a des restrictions concernant l'incertitude (influence de la température) et la valeur analogique maximale (tension d'alimentation trop faible) Les sorties de commutation conservent l'état de commutation actuel (sortie ouverte ou fermée)

6. Dysfonctionnements / 7. Entretien et nettoyage

Erreur	Description
ERR2	Défaut détecté sur un capteur, vérifier si la surpression est présente (peut être détecté comme un défaut sur un capteur), relancer l'instrument si nécessaire ou remplacer l'instrument s'il le faut La sortie analogique contrôle le signal d'alarme $\leq 3,6$ mA (signal de sortie 4 ... 20 mA) ou ≥ 11 V (signal de sortie 0 ... 10 V) en conformité avec NAMUR43 Les sorties de commutation conservent l'état de commutation actuel (sortie ouverte ou fermée)
SC	Court-circuit détecté à la sortie de commutation 1 ou 2 La sortie de commutation concernée est inactive tant que le court-circuit est présent

FR

Acquitter les avertissements et les erreurs avec la touche de confirmation.

7. Entretien et nettoyage

7.1 Entretien

Ce pressostat ne nécessite aucun entretien.

Les réparations ne doivent être effectuées que par le fabricant.

7.2 Nettoyage

N'utilisez que des produits de nettoyage disponibles dans le commerce et sans solvant.

7.3 Processus de nettoyage par nettoyage en place (NEP)

Les instructions suivantes sont valides seulement pour les instruments qui ont été marqués comme adéquats pour NEP dans la fiche technique.

- En cas d'un nettoyage de l'extérieur ("Wash down"), respecter la température et l'indice de protection admissibles.
- Employer seulement des détergents adaptés aux joints d'étanchéité utilisés.
- Les agents de nettoyage ne doivent pas être abrasifs ni corroder les matériaux des parties en contact avec le fluide.
- Eviter les chocs thermiques ou des changements brutaux de température. La différence de température entre l'agent de nettoyage et le rinçage à l'eau claire doit être aussi faible que possible. Exemple négatif : nettoyage à 80 °C [176 °F] et rinçage à 4 °C [39 °F] à l'eau froide.

8. Démontage, retour et mise au rebut

8. Démontage, retour et mise au rebut

8.1 Démontage



AVERTISSEMENT !

Fluides dangereux

- ▶ En cas d'erreur, des fluides agressifs peuvent être présents à une température extrême et sous une pression élevée ou sous vide au niveau de l'instrument.
- ▶ Dépressuriser et mettre hors tension le pressostat avant de le démonter.

FR

8.2 Retour



AVERTISSEMENT !

Blessures physiques et dommages aux équipements et à l'environnement liés aux résidus de fluides

Les restes de fluides se trouvant dans les instruments démontés peuvent mettre en danger les personnes, l'environnement ainsi que l'installation.

- ▶ En cas de substances dangereuses, Avec les substances dangereuses, inclure la fiche technique de sécurité de matériau pour le fluide correspondant.

En cas d'envoi de l'instrument, il faut respecter impérativement ceci :

Tous les instruments livrés à WIKA doivent être exempts de substances dangereuses (acides, bases, solutions, etc.) et doivent donc être nettoyés avant d'être retournés.

Pour retourner l'instrument, utiliser l'emballage original ou un emballage adapté pour le transport.



Des informations relatives à la procédure de retour sont disponibles sur notre site Internet à la rubrique "Services".

Une mise au rebut inadéquate peut entraîner des dangers pour l'environnement.

Éliminer les composants des instruments et les matériaux d'emballage conformément aux prescriptions nationales pour le traitement et l'élimination des déchets et aux lois de protection de l'environnement en vigueur.



Ne pas mettre au rebut avec les ordures ménagères. Assurer une mise au rebut correcte en conformité avec les réglementations nationales.

9. Spécifications

9. Spécifications

En fonction de la version d'instrument sélectionnée (par exemple, joints), les spécifications peuvent différer de celles indiquées ici. Les spécifications dans la documentation de commande prévalent.

Pour de plus amples spécifications, voir la fiche technique WIKA PE 81.86 et la documentation de commande.

Spécifications

Etendue de mesure	→ Voir plaque signalétique
Pression de service maximale	→ Egale à la valeur supérieure de la plage / valeur pleine échelle
Limite de surpression ¹⁾	
Etendues de mesure ≤ 600 bar [≤ 7.500 psi]	2 fois
Etendue de mesure 1.000 bar [14.500 psi]	1,48 fois
Ecart de mesure max. selon CEI 61298-2	≤ ± 0,5 % de l'échelle
Précision du point de seuil	≤ ± 0,5 % de l'échelle
Courant de commutation	Max. 250 mA par sortie de commutation
Tension de commutation	Tension d'alimentation - 1 V
Erreur de température sur la plage de 0 ... 80 °C [32 ... 176 °F]	
Pour tous les raccords process avec port de pression	≤ ± 1,5 % de l'échelle
Avec une surpression admissible augmentée et raccord process G ½ B affleurant	≤ ± 2,5 % de l'échelle
Pour raccords process G 1 hygiéniques et TRI-CLAMP® 1 ½" et 2"	≤ ± 3,5 % de l'échelle
Tenue au vide	Oui
Signal de sortie	→ Voir plaque signalétique
Tension d'alimentation	15 ... 35 VDC
Alimentation courant	Max. 600 mA y compris le courant de commutation
Configuration du raccordement	→ Voir la plaque signalétique et le schéma de raccordement au chapitre 4.2 "Montage électrique"
Résistance court-circuit	S+ / SP1 / SP2 contre U-
Protection contre l'inversion de polarité	U+ contre U-
Tension d'isolement	500 VDC

FR

9. Spécifications

Spécifications

Matériau (en contact avec le fluide)

Etendues de mesure < 10 bar [150 psi]	Acier inox 316L Acier inox 1.4435/316L avec G 1 hygiénique et TRI-CLAMP®, raccords process 1 ½" et 2"
Etendues de mesure ≥ 10 bar [150 psi]	Acier inox 316L, acier PH Acier inox 1.4435/316L avec G 1 hygiénique et TRI-CLAMP®, raccords process 1 ½" et 2"

Fluide de transmission de pression

Pour toutes les étendues de mesure de pression relative < 10 bar [150 psi] ¹⁾ , toutes les étendues de mesure de pression absolue et G ½ affleurant	Huile silicone	
Avec G 1 hygiénique et TRI-CLAMP®, raccords process 1 ½" et 2"	KN92 huile minérale médicinale blanche, agréée FDA selon CFR 172.878 et 21 CFR 178.3620(a); agréée USP, EP et JP	

Rugosité de la surface des parties en contact avec le fluide

Raccord process G 1 hygiénique	Ra ≤ 0,8 µm (à l'exception du joint de soudure)
Raccord process TRI-CLAMP® 1 ½" et 2"	Ra ≤ 0,76 µm selon ASME BPE SF3 (à l'exception du joint de soudure)

Options pour fluide spécifique

Exempt d'huiles et de graisses	Hydrocarbures résiduels	< 1.000 mg/m ²
Dégraissage oxygène	Hydrocarbures résiduels	< 200 mg/m ²
	Température max. admissible	-20 ... +60 °C [-4 ... +140 °F]

Limite de température du fluide

Raccords process avec port de pression et G ½ B affleurant	-20 ... +85 °C [-4 ... +185 °F]
Raccord process G 1 hygiénique	■ -20 ... +100 °C [-4 ... +212 °F] (+135 °C [+275 °F] max. 1h) ■ -20 ... +125 °C [-4 ... +257 °F] (+150 °C [+302 °F] max. 1h) (option)
Raccords process TRI-CLAMP® 1 ½" et 2"	-20 ... +100 °C [-4 ... +212 °F] (+135 °C [+275 °F] max. 1h)

Limite de température ambiante

-20 ... +80 °C [-4 ... +176 °F]

Limite de température de stockage

-20 ... +70 °C [-4 ... +158 °F]

Durée de vie

Cycles de commutation	100 millions
Cycle de charge (mécanique) ²⁾	100 millions ou 10 millions pour les étendues de mesure > 600 bar/7.500 psi

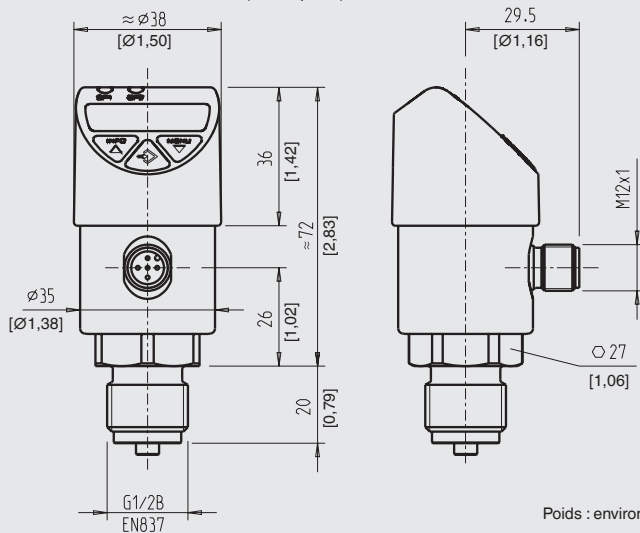
1) La limite de surpression se base sur l'élément de capteur utilisé. En fonction du raccord process et du joint d'étanchéité sélectionnés, il peut y avoir des restrictions concernant la surpression admissible.

2) Non valide pour G 1 hygiénique et TRI-CLAMP® 1 ½" et 2"

9. Spécifications

Dimensions en mm [pouces]

Pressostat avec connecteur circulaire M12 x 1 (4 et 5 plots)



Poids : environ 220 g [7,76 oz]

FR



FR

1. Información general

1. Información general

¡Leer el manual de instrucciones antes de comenzar cualquier trabajo! ¡Guardar el manual para una eventual consulta!

■ Este manual de instrucciones proporciona indicaciones importantes acerca del manejo del presostato. Para un trabajo seguro, es imprescindible cumplir con todas las instrucciones de seguridad y manejo indicadas.

■ Se aplican las condiciones generales de WIKA Alexander Wiegand SE & Co. KG.

■ Para obtener más información consultar:

- | | |
|---|---|
| - Página web: | www.wika.es / www.wika.com |
| - Contacto: | Tel.: +34 933 938 630
info@wika.es |
| - Hoja técnica: | PE 81.86 |
| - Certificado de prueba: | Incluido en el suministro |
| - Orificios roscados para conexiones a proceso: | Información técnica IN 00.14 en www.wika.com |
| - Montaje eléctrico: | Información técnica IN 00.50 en www.wika.com |
| - Declaración de conformidad: | Online en www.wika.es |

ES

© 07/2017 WIKA Alexander Wiegand SE & Co. KG
Reservados todos los derechos. / Alle Rechte vorbehalten.
WIKAR[®] es una marca protegida en varios países.
WIKAR[®] ist eine geschützte Marke in verschiedenen Ländern.

2. Breve vista general

2. Breve vista general

2.1 Resumen



- ① Tecla de confirmación
- ② Tecla INFORMACIÓN
- ③ Indicador digital
- ④ Visualización de estado, salidas de conmutación
- ⑤ Tecla MENU
- ⑥ Conexión eléctrica
- ⑦ Conexión a proceso, área para llave
- ⑧ Conexión a proceso, rosca

2. Breve vista general

2.2 Unidad de visualización y mando

Estado salida de conexión 2 (opcional)

Estado salida de conexión 1

Modo de visualización

- ▶ Accionamiento breve
Visualización de la unidad
- ▶ Accionamiento largo
Para visualización de los parámetros ajustados, véase el capítulo 5.3 “Vista general de los parámetros”

Modo de programación

- ▶ Accionamiento breve
Menú hacia arriba
Parámetro hacia arriba (gradualmente)
- ▶ Accionamiento largo
Menú hacia arriba
Parámetro hacia arriba (rápido)



Indicador LED de 4 dígitos

- Indicador de presión
- Visualización de la opción del menú
- Visualización de los parámetros

Modo de visualización

- ▶ Accionamiento breve
Visualización de la unidad
- ▶ Accionamiento largo
Salto al modo de programación

Modo de programación

- ▶ Accionamiento breve
Menú hacia abajo
Parámetro hacia abajo (gradualmente)
- ▶ Accionamiento largo
Menú hacia abajo
Parámetro hacia abajo (rápido)

Modo de visualización

- ▶ Accionamiento breve
Visualización de la unidad

Modo de programación

- ▶ Accionamiento breve
Selección de la opción del menú
Confirmación de la introducción

ES

3. Seguridad

3. Seguridad

3.1 Explicación de símbolos y términos



¡ADVERTENCIA!

La palabra de señalización indica un peligro con un grado de riesgo medio que, si no se evita, puede provocar la muerte o lesiones graves.



¡CUIDADO!

La palabra de señalización indica un peligro con un grado de riesgo bajo que, si no se evita, puede provocar una lesión leve o moderada.



Información

La palabra señalización destaca consejos y recomendaciones útiles así como informaciones para una utilización eficiente y libre de errores.

3.2 Uso conforme a lo previsto

El presostato solo se puede usar en aplicaciones que se encuentren dentro de sus límites de rendimiento técnico, en particular con respecto a su límite de resistencia del material, límites de tasa de fuga y límites de presión y temperatura permisibles.

Es responsabilidad exclusiva del fabricante o de la empresa operadora de una máquina o equipo garantizar la idoneidad del presostato y su resistencia a los medios en la aplicación a través de la elección adecuada de los materiales y los ciclos de mantenimiento. Para límites de rendimiento véase el capítulo 9 "Datos técnicos".

Versiones especiales para aplicaciones sin aceite ni grasa, así como para el uso con oxígeno (fluido peligroso según la directiva 2014/68/EU art. 13, reglamento (CE) n° 1272/2008, o GHS 1) están disponibles bajo pedido.

Montaje, desmontaje, instalación, parametrización y mantenimiento del presostato en un entorno industrial requiere de personal calificado según el capítulo 3.3 "Cualificación del personal".

El instrumento ha sido diseñado y construido únicamente para la finalidad aquí descrita y debe utilizarse en conformidad a la misma.

No se admite ninguna reclamación debido a un manejo no adecuado.

1) Globally Harmonized System of Classification, Labelling and Packaging of Chemicals

3. Seguridad

Uso incorrecto

Cualquier uso que no sea el previsto para este dispositivo es considerado como uso incorrecto.

Los siguientes puntos, en particular, cuentan como uso incorrecto y no están permitidos:

- Utilización de este instrumento en sistemas de seguridad o de parada de emergencia
- Modificaciones no autorizadas del presostato
- Uso en zonas potencialmente explosivas
- Uso con fluidos abrasivos o inestables, sobre todo hidrógeno

3.3 Cualificación del personal

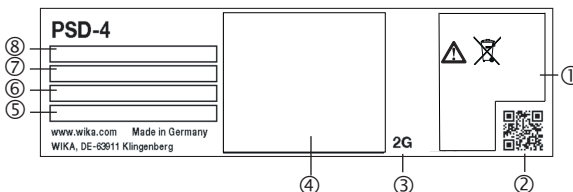
Personal especializado

Debido a su formación profesional, a sus conocimientos de la técnica de regulación y medición así como a su experiencia y su conocimiento de las normativas, normas y directivas vigentes en el país de utilización el personal especializado autorizado por el usuario debe ser capaz de ejecutar los trabajos descritos y reconocer posibles peligros por sí solo.

ES

3.4 Rótulos, marcajes de seguridad

Placa de identificación (ejemplo)



- ① Homologaciones y conformidades
- ② Código QR a la aplicación del número de serie WIKA
- ③ Fecha de fabricación codificada
- ④ Detalles del conexionado y datos técnicos
- ⑤ Número de serie
- ⑥ Código
- ⑦ Rango de medición
- ⑧ Versión con enlace ES (opcional)



¡Es absolutamente necesario leer el manual de instrucciones antes del montaje y la puesta en servicio del instrumento!

3. Seguridad / 4. Montaje



No eliminar en las basuras domésticas. Garantizar una eliminación correcta según las prescripciones nacionales.

4. Montaje

4.1 Montaje mecánico

Utilizar el presostato sólo si encuentra en condiciones de funcionamiento absolutamente seguras.

Comprobar el presostato visualmente antes de utilizarlo.

- Un escape de líquido es un indicador de daños.
- Notificar daños evidentes de forma inmediata.
- Con temperaturas ambiente elevadas y alta irradiación UV, el presostato debe instalarse con un sombreado adicional, para evitar daños en la pantalla digital y en el teclado.

Las indicaciones sobre taladros para roscar y para soldar se detallan en nuestra información técnica IN 00.14 en www.wika.es.

Instrucciones de montaje para conexiones a proceso G 1 higiénicas y TRI-CLAMP®

- Nunca aflojar el tornillo de llenado del instrumento de medición.
- Para el montaje hay que utilizar piezas de conexión que cumplan con las normas sobre accesorios y bridas, como tornillos, tuercas o abrazaderas.
- Embridar utilizando una junta con diámetro interior suficiente y posicionar la junta al centro. El contacto con la membrana provoca desviaciones en la medición.
- Si se utiliza un racor soldado, colocarlo de tal modo que el orificio indique hacia abajo, para detectar escapes. Soldar el racor a ras con la pared interior del recipiente y rectificarlo. La rugosidad de las superficies rectificadas debe ser $Ra \leq 0,8 \mu\text{m}$. Para cumplir con las directrices 3-A, proporcione siempre un orificio de fuga de al menos 2,38 mm (0,09 pulg) en la posición más baja.
- Si se utilizan juntas de material blando o PTFE hay que observar las prescripciones del fabricante de las juntas en particular en cuanto al momento de arranque y los ciclos de carga.

G 1 Higiénica

- Juntas en contacto con el medio de EPDM o FKM
- Apropiada para el sistema de adaptadores WIKA modelo 910.61; véase hoja técnica AC 09.20
- Para consultar las dimensiones de los adaptadores de proceso y piezas a roscar correspondientes, véase hoja técnica AC 09.20

4. Montaje

TRI-CLAMP®

Conformidad EHEDG con conexión clamp solo en combinación con una junta anular T de Combifit Metaalbewerking B.V.

Instrucciones de montaje adicionales para conexiones a proceso con homologaciones EHEDG y 3-A

Siga las instrucciones seguidamente indicadas, especialmente para dispositivos certificados por EHEDG y conformes a 3-A.

- Para cumplir con la certificación EHEDG, se debe utilizar una conexión a proceso recomendada por EHEDG. Estas están marcadas con un logotipo en la hoja técnica.
- Para una conexión conforme a EHEDG deben utilizarse juntas de acuerdo con el documento de la política vigente de EHEDG.
- A fin de mantener la conformidad 3-A, se debe usar una conexión a proceso que cumpla con esta. Estas están marcadas con un logotipo en la hoja técnica.
- Montar la conexión de proceso con mínimo espacio muerto y facilidad de limpieza.
- La posición de instalación no debe formar un punto de fuga o causar formación de sumidero.

ES


4.2 Montaje eléctrico

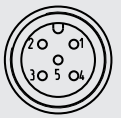
Conexión eléctrica al suministro de voltaje

→ Alimentación auxiliar : véase la placa de identificación o el esquema de conexión

Detalles del conexionado

→ Asignación de conexiones : véase la placa de identificación o el esquema de conexión

Conector circular, M12 x 1 (4 pines)		
	U+	1
	U-	3
	S+	2
	SP1/C 1)	4
	SP2	2

Conector circular, M12 x 1 (5 pines)		
	U+	1
	U-	3
	S+	5
	SP1/C	4
	SP2	2

1) Según la configuración de las señales de salida

Legenda:

U+	Alimentación positiva	SP1	Salida de conexión 1
U-	Terminal de alimentación negativa	SP2	Salida de conexión 2
S+	Salida analógica	C	Comunicación con IO-Link

4. Montaje / 5. Puesta en marcha

Para los instrumentos sin certificación norteamericana

Este dispositivo debe utilizarse con bajas tensiones aisladas de la tensión de red de AC 230 V (50 Hz) o de tensiones superiores a AC 50 V y DC 120 V para ambientes secos. Debe optarse preferiblemente por una conexión a circuitos eléctricos SELV; como alternativa se recomienda una medida de protección según la norma de instalación IEC 60364-4-41.

Para los instrumentos con certificación norteamericana según UL/CSA IEC 61010-1

Para la alimentación auxiliar del sensor de presión, utilizar un circuito eléctrico con límite de energía según el párrafo 9.3 de UL/EN/IEC 61010-1 o el LPS según UL/EN/IEC 62368-1 o el Clase 2 según UL1310/UL1585 (NEC o CEC). La alimentación de corriente debe ser adecuada para aplicaciones en alturas superiores a 2.000 metros, si se quiere utilizar el presostato a partir de esas alturas.

ES

Integre el presostato en la conexión equipotencial a través de la conexión de proceso o conéctelo a tierra.

5. Puesta en servicio

Solo utilizar piezas y accesorios originales, véase hoja técnica PE 81.86 en "Accesorios".

5.1 Punto cero ajustable

Al iniciar el dispositivo se debe comprobar el punto cero indicado en la pantalla digital. Si se indica un desplazamiento del punto cero, ocasionado por la instalación, éste puede restablecerse en el modo de programación con el parámetro 0SET.

Realice el ajuste de los rangos de medición de la presión manométrica y del vacío sólo en estado despresurizado.



Para los rangos de medición de presión absoluta, el ajuste debe realizarse a 0 bar absoluto (vacío). Dado que para ello se requieren las correspondientes referencias, recomendamos dejar esta tarea exclusivamente a cargo del fabricante.

5.2 Modos de funcionamiento

Modo	Descripción
Arranque del sistema	La pantalla digital se activa sin interrupción durante 1 segundo Al arrancar el presostato en el rango de la histéresis, el interruptor de salida se coloca de manera estándar en "no activo".

5. Puesta en servicio

Modo	Descripción
Modo de programación (Ajustar los parámetros)	<p>Activar el modo de programación Pulsar la tecla "MENÚ" durante aprox. 2 segundos. La contraseña ≠ 0000, indica la necesidad de introducir una contraseña. Tras la confirmación de la misma se accede al modo de programación; de otro modo, se regresa al modo de visualización.</p> <p>Tiempo expirado Si no se pulsa ninguna tecla durante 60 segundos durante el ajuste de un parámetro, el instrumento vuelve al modo de visualización sin cambio en los valores.</p>
Modo de visualización (Actividad normal de trabajo, visualización de la presión)	<p>Regreso al modo de visualización Accionamiento simultáneo de "INFO" y "MENU"</p>

ES

5.3 Vista general de los parámetros

Opción del menú	Descripción	Parámetro	Ajuste de fábrica
SP1/SP2	Función de histéresis: Punto de conmutación (salida de conmutación 1/2)	0,25 ... 100 % del rango de medición	Presión nominal
FH1/FH2	Función de ventana: Ventana high (salida de conmutación 1/2)	0,25 ... 100 % del rango de medición	Presión nominal
RP1/RP2	Función de histéresis: Punto de restablecimiento, salida de conmutación (1 o 2)	0 ... (punto de conmutación - 0,25 % del rango de medición)	Presión nominal - 10 %
FL1/FL2	Función de ventana: ventana Low de la salida de conmutación (1 o 2)	0 ... (ventana High - 0,25 % del rango de medición)	Presión nominal - 10 %
EF	Funciones de programación ampliadas		
RES	Reponer los parámetros ajustados a los ajustes de fábrica	Sí/no	
DS1/DS2	Tiempo de retraso de conmutación, que debe producirse (SP1, si se aplica SP2)	0,00 ... 65,00 s	0,00 s
DR1/DR2	Tiempo de retraso de restablecimiento, que debe producirse (RP1, si se aplica RP2)	0,00 ... 65,00 s	0,00 s

14208834.02_01/2023 EN/DE/FR/ES

5. Puesta en servicio

Opción del menú	Descripción	Parámetro	Ajuste de fábrica
OU1/OU2	Función de conmutación (salida de conmutación 1/2)	HNO = función de histéresis, contacto normalmente abierto HNC = histéresis, contacto normalmente cerrado FNO = función de ventana, contacto normalmente abierto FNC = función de ventana, contacto normalmente cerrado	HNO
OU3	Cambio señal de salida	I = 4 ... 20 mA U = DC 0 ... 10 V	I
POL1/POL2	Lógica de conexión (salida de conmutación 1/2)	PNP, NPN	PNP
ALOW	Escalada / reducción del rango de medición (valor analógico, valor inicial)	en correspondencia con la salida analógica	Valor inicial del rango de medición
AHGH	Escalada / reducción del rango de medición (valor analógico, valor final)	en correspondencia con la salida analógica	Final del rango de medición
AVGD	Amortiguación (indicador digital)	0,00 ... 65,00 s	0,20 s
AVG1/AVG2	Amortiguación (salida de conmutación 1/2)	0,00 ... 65,00 s	0,00 s
AVG3	Amortiguación (señal analógica)	0,00 ... 65,00 s	0,00 s
UNIT	Cambio unidades	BAR, mBAR, MPA, KPA, PSI, KGcm (kg/cm ²), %	Según pedido
OSET	Ajustabilidad punto cero/ejecución de "Autozero" (máx. ±3 % del span)	Sí/no	
DISM	Valor indicado en el modo de visualización	ACT = presión actual del sistema LOW, HIGH = presión del sistema mín/máx OFF = visualización DES SP1/FH1 = valor de conmutación ajustado RP1/FL1 = valor de conmutación ajustado SP2/FH2 = valor de conmutación ajustado RP2/FL2 = valor de conmutación ajustado	ACT
DISU	Frecuencia de actualización (indicador digital)	1, 2, 5, 10 actualizaciones/segundo	5
DISR	Girar 180° la representación (indicador digital)	Sí/no	

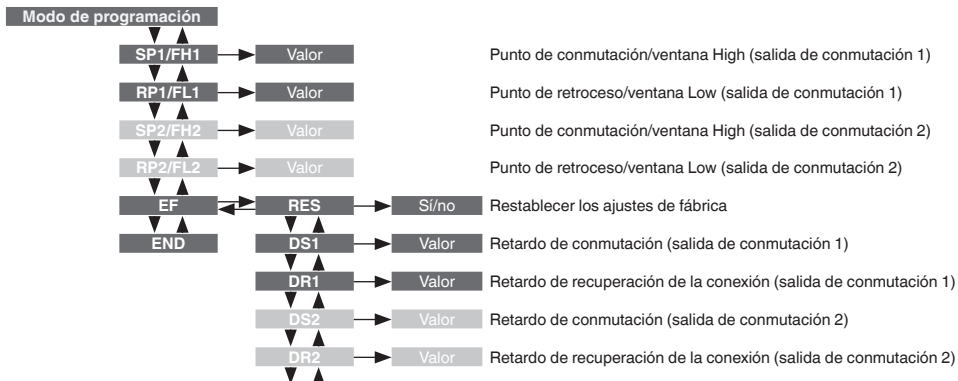
5. Puesta en servicio

Opción del menú	Descripción	Parámetro	Ajuste de fábrica
DRES	Resolución (indicador digital)	OPT = optimizado (visualización de medición estable con redondeo de factores del último dígito optimizado para el rango de medición) COMPLETO = máximo (la más alta resolución, posiblemente haya que amortiguar la pantalla digital para una visualización estable del valor medido)	OPT
RHL	Borrar memoria /Presión del sistema máx./mín.)	Sí/no	
PAS	Introducción de la contraseña	0000 = sin contraseña Introducción de la contraseña dígito por dígito	0000
TAG	Nombre del instrumento de medición (PESTAÑA)	Hasta 32 caracteres (A-Z, 0 ... 9; - , ESPACIO) (2 espacios seguidos finalizan una entrada y dan lugar a la supresión de ésta y de los caracteres situados detrás de ella)	Sin

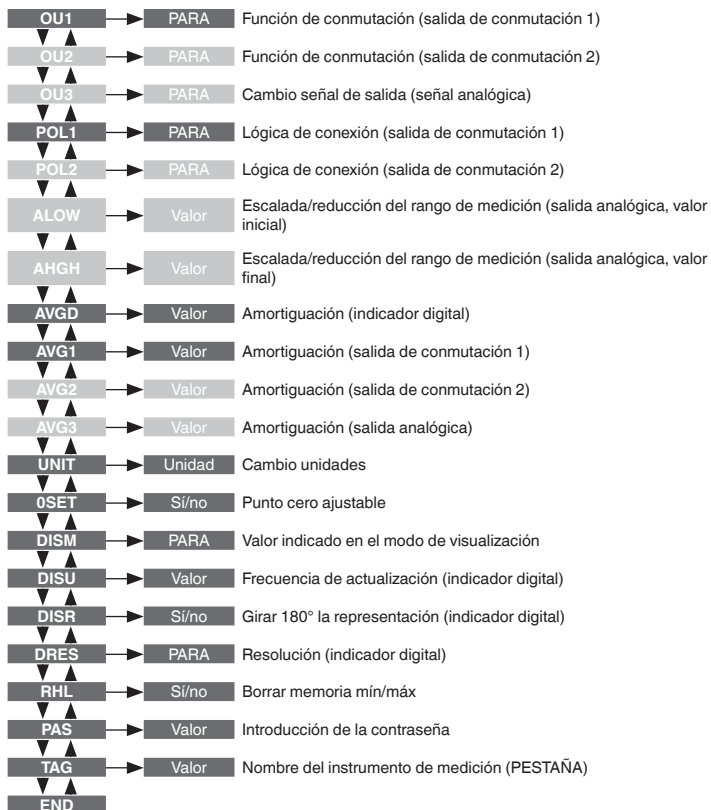
ES

5.4 Árbol de menú

Ciertos elementos del menú (gris claro) se visualizan solamente cuando el presostato cuenta con esa opción.



5. Puesta en servicio



6. Errores

6. Errores



¡CUIDADO!

Lesiones corporales, daños materiales y del medio ambiente

Si no se pueden solucionar los defectos mencionados se debe poner el presostato inmediatamente fuera de servicio.

- ▶ Asegurar que el dispositivo no queda expuesto a presión o una señal y protegerlo contra usos accidentales.
- ▶ Contactar al fabricante.
- ▶ En caso de devolución, observar las indicaciones del capítulo 2.1 "Resumen".



Datos de contacto, ver capítulo 1 "Información general" o parte posterior del manual de instrucciones.

ES

En caso de averías, verificar en primer lugar la conexión mecánica y eléctrica del presostato.

Fallo	Posible causa	Medida
Ninguna señal de salida	Rotura de cable	Comprobar el paso
Ninguna señal de salida	Energía auxiliar errónea/ausente	Corregir la corriente auxiliar
Señal de salida ausente/errónea	Fallo de cableado o conmutación de la lógica de señal/señal analógica	Tener en cuenta detalles del conexionado Revisar la configuración de salida
La señal de salida no cambia cuando cambia la presión	Sobrecarga mecánica por sobrepresión	Sustituir el instrumento, consultar al fabricante si falla repetidas veces
Desviación de señal de punto cero	Límite de sobrepresión excedido	Respetar la protección a la sobrepresión permitida
La señal se va a fondo de escala	Sobrecarga mecánica por sobrepresión	Sustituir el instrumento, consultar al fabricante si falla repetidas veces
La señal se va a fondo de escala	Corriente auxiliar demasiado alta/baja	Corregir la corriente auxiliar
Alcance de señal se cae	Penetró humedad	Montar correctamente el cable
Span de señal cae/insuficiente	Daños en la membrana, p. ej. debido a impactos, medios abrasivos/agresivos, corrosión en la membrana/conexión a proceso	Contactar al fabricante y reemplazar el instrumento

6. Errores

Advertencias y fallos

Las advertencias internas y fallos se emiten a través de la pantalla digital. El instrumento sigue midiendo con una advertencia pendiente. La señal de salida y la salida de conmutación continúan emitiéndose. La siguiente tabla muestra los códigos y su significado.

Advertencia	Descripción
ATT1	Al cambiar el punto de conmutación, el punto de restablecimiento del instrumento se reduce automáticamente a la histéresis mínima de 0,25 %.
ATT2	Ajustabilidad del punto cero, la presión actual está fuera de los límites
ATT3	Introducción de la contraseña para el acceso al menú no correcta
ATT4	Unidad no representable en la pantalla digital; se emplea unidad anterior
ATT5	Se ha superado la reducción máxima
ILOC	Menú bloqueado mediante IO-Link
OL	Sobrepresión, se ha superado el rango de medición > aprox. 3,125 % (pantalla digital parpadea)
PAS	Solicitud de introducción de contraseña
UL	Vacío, se ha quedado debajo del rango de medición < aprox. un 3,125% (pantalla digital parpadea)

Error	Descripción
ERR	Fallo interno (puede ayudar el reiniciar el dispositivo o restablecerlo al ajuste de fábrica) La salida analógica controla la señal de alarma $\leq 3,6$ mA (señal de salida de 4 ... 20 mA) o ≥ 11 V (señal de salida de 0 ... 10 V) según NAMUR43 Las salidas de conmutación mantienen su estado de conmutación (salida abierta o cerrada)
ERR1	Se sobrepasó o no se llegó a la temperatura del dispositivo, o no alcanzó la energía auxiliar Se emite la salida analógica. Existen restricciones en términos de precisión (influencia de la temperatura) y del valor analógico máximo (no se alcanzó el nivel de energía auxiliar) Las salidas de conmutación mantienen su estado de conmutación (salida abierta o cerrada)

6. Errores / 7. Mantenimiento

Error	Descripción
ERR2	<p>Se detectó fallo del sensor, verificar si hay elevada sobrepresión (puede ser detectada como un defecto del sensor), eventualmente reiniciar el dispositivo o reemplazarlo</p> <p>La salida analógica controla la señal de alarma $\leq 3,6$ mA (señal de salida de 4 ... 20 mA) o ≥ 11 V (señal de salida de 0 ... 10 V) según NAMUR43</p> <p>Las salidas de conmutación mantienen su estado de conmutación (salida abierta o cerrada)</p>
SC	<p>Se detectó cortocircuito en salida de conmutación 1 o 2</p> <p>La salida de conmutación afectada está inactiva mientras dure el cortocircuito.</p>

Acusar recibo de advertencias y fallos con la tecla de confirmación.

ES

7. Mantenimiento

7.1 Mantenimiento

Este presostato no precisa mantenimiento.

Todas las reparaciones solamente las debe efectuar el fabricante.

7.2 Limpieza

Utilice únicamente productos de limpieza comerciales y sin disolventes.

7.3 Proceso de limpieza "Limpieza in situ" (CIP)

Las siguientes indicaciones sólo son válidas para aparatos que estén marcados como aptos para CIP en la hoja de datos.

- Comprobar la temperatura y la protección ambiental admisible para la limpieza desde el exterior ("Wash Down").
- Utilice únicamente agentes de limpieza adecuados para las juntas utilizadas.
- Los detergentes no deben ser abrasivos ni atacar corrosivamente los materiales en contacto con el medio.
- Evite choques de temperatura o cambios rápidos de temperatura. La diferencia de temperatura entre el detergente y el enjuague con agua debe ser lo más baja posible. Ejemplo negativo: limpieza con 80 °C [176 °F] y enjuague con agua fría a 4 °C [39 °F].

8. Desmontaje, devolución y eliminación de residuos

8. Desmontaje, devolución y eliminación de residuos

8.1 Desmontaje



¡ADVERTENCIA!
Medios peligrosos

- ▶ En caso de fallo es posible que haya medios agresivos con temperaturas extremas o de bajo presión o que haya un vacío en el instrumento.
- ▶ Interrumpir la alimentación de presión y de corriente del presostato antes de desmontarlo.

8.2 Devolución



¡ADVERTENCIA!
Lesiones corporales, daños materiales y del medio ambiente por medios residuales
Medios residuales en el instrumento desmontado pueden causar riesgos para personas, medio ambiente e instalación.

- ▶ Si se trata de sustancias peligrosas, adjunte la hoja técnica de seguridad de la sustancia de medición correspondiente.

Es imprescindible observar lo siguiente para el envío del instrumento:

Todos los instrumentos enviados a WIKA deben estar libres de sustancias peligrosas (ácidos, lejías, soluciones, etc.) y, por lo tanto, deben limpiarse antes de devolver.

Utilizar el embalaje original o un embalaje adecuado para la devolución del instrumento.



Comentarios sobre el procedimiento de las devoluciones se encuentra en el apartado “Servicio” en nuestra página web local.

Una eliminación incorrecta puede provocar peligros para el medio ambiente.

Eliminar los componentes de los instrumentos y los materiales de embalaje conforme a los reglamentos relativos al tratamiento de residuos y eliminación vigentes en el país de utilización.



No eliminar en las basuras domésticas. Garantizar una eliminación correcta según las prescripciones nacionales.

9. Datos técnicos

9. Datos técnicos

Dependiendo de la versión del instrumento seleccionada (por ejemplo, las juntas), los datos técnicos pueden diferir de los datos técnicos enumerados aquí. Los datos técnicos en la documentación de pedido son decisivos.

Para más datos técnicos, consulte la hoja técnica de WIKA PE 81.86 y la documentación de pedido.

Datos técnicos

Rango de medición	→ Véase la placa de identificación
Presión máxima de trabajo	→ Corresponde al valor superior del rango / valor final de escala
Límite de presión de sobrecarga 1)	
Rangos de medición ≤ 600 bar [7.500 psi]	2 veces
Rango de medición 1.000 bar [14.500 psi]	1,48 veces
Error máximo de medición según IEC 61298-2	≤ ±0,5 % del span
Exactitud del punto de conmutación	≤ ±0,5 % del span
Corriente de conmutación	Máx. 250 mA por salida de conexión
Tensión de conmutación	Alimentación auxiliar - 1 V
Error de temperatura a 0 ... 80 °C [32 ... 176 °F]	
Para todas conexiones a proceso con puerto de presión	≤ ±1,5 % del span
Con límite de sobrepresión aumentado y conexión a proceso G ½ B membrana enrasada	≤ ±2,5 % del span
Para conexiones a proceso G 1 higiénicas y TRI-CLAMP® 1 ½" y 2"	≤ ±3,5 % del span
Resistencia al vacío	Sí
Señal de salida	→ Véase la placa de identificación
Alimentación auxiliar	DC 15 ... 35 V
Consumo de corriente	Máx. 600 mA inclusive corriente de conmutación
Detalles del conexionado	→ Véase la placa de identificación o el esquema de conexión en el capítulo 4.2 "Montaje eléctrico"
Resistencia contra cortocircuitos	S+ / SP1 / SP2 contra. U-
Protección contra polaridad inversa	U+ contra U-
Tensión de aislamiento	DC 500 V

ES

9. Datos técnicos

Datos técnicos

Material (en contacto con el medio)

Rangos de medición < 10 bar [150 psi]	Acero inoxidable 316L Acero inoxidable 1.4435/316L con conexiones a proceso G 1 higiénicas y TRI-CLAMP® 1 ½" y 2"
Rangos de medición ≥ 10 bar (150 psi)	Acero inoxidable 316L, acero de grado PH Acero inoxidable 1.4435/316L con conexiones a proceso G 1 higiénicas y TRI-CLAMP® 1 ½" y 2"

Medio de transmisión de presión

Para todos los rangos de presión relativa < 10 bar [150 psi] ¹⁾ , todos los rangos de medición de presión absoluta y G ½ membrana enrasada	Acete sintético
Con conexiones a proceso G 1 higiénicas y TRI-CLAMP® 1 ½" y 2"	Acete blanco medicinal KN92, conforme a FDA según CFR 172.878 y 21 CFR 178.3620 (a); conforme a USP, EP y JP

Rugosidad de la superficie de las partes en contacto con el medio

Conexión a proceso higiénica G 1	Ra ≤ 0,8 µm (sin costura de soldadura)
Conexión a proceso TRI-CLAMP® 1 ½" y 2"	Ra ≤ 0,76 µm según ASME BPE SF3 (excepto soldadura)

Opciones para medios especiales

Libre de aceite y grasa	Hidrocarburo residual	< 1.000 mg/m ²
Libre de oxígeno, aceite y grasa	Hidrocarburo residual	< 200 mg/m ²
	Temperatura máx. admisible	-20 ... +60 °C [-4 ... +140 °F]

Límite de temperatura del medio

Conexiones a proceso con puerto de presión y G ½ B membrana enrasada	-20 ... +85 °C [-4 ... +185 °F]
Conexión a proceso higiénica G 1	■ -20 ... +100 °C [-4 ... +212 °F] [+135 °C [+275 °F] máx. 1h) ■ -20 ... +125 °C [-4 ... +257 °F] [+150 °C [+302 °F] máx. 1h) (opción)
Conexiones a proceso TRI-CLAMP® 1 ½" y 2"	-20 ... +100 °C [-4 ... +212 °F] [+135 °C [+275 °F] máx. 1h)

Límite de temperatura ambiente

-20 ... +80 °C [-4 ... +176 °F]

Límite de temperatura de almacenamiento

-20 ... +70 °C [-4 ... +158 °F]

Duración

Ciclos de conmutación	100 millones
Ciclo de carga (mecánico) ²⁾	100 millones o 10 millones para rangos de medición > 600 bar/7.500 psi

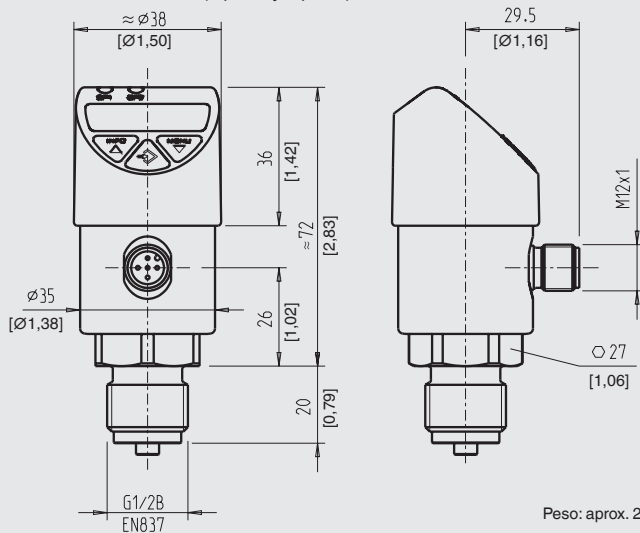
1) El límite de sobrecarga de presión se basa en el elemento sensible usado. Dependiendo de la conexión a proceso escogida y de la junta, pueden producirse restricciones en el límite de sobrepresión.

2) No es válido para G 1 higiénica y TRI-CLAMP® 1 ½" y 2"

9. Datos técnicos

Dimensiones en mm [pulg]

Presostato con conector circular M12 x 1 (4 pines y 5 pines)



Peso: aprox. 220 g (7,76 oz)

ES

WIKA subsidiaries worldwide can be found online at www.wika.com.
WIKA Niederlassungen weltweit finden Sie online unter www.wika.de.
La liste des filiales WIKA dans le monde se trouve sur www.wika.fr.
La lista de las sucursales WIKA en el mundo puede consultarse en www.wika.es.



Importer for UK
WIKA Instruments Ltd
Unit 6 and 7 Goya Business park
The Moor Road
Sevenoaks
Kent
TN14 5GY



WIKAL Alexander Wiegand SE & Co. KG
Alexander-Wiegand-Strasse 30
63911 Klingenberg • Germany
Tel. +49 9372 132-0
info@wika.de
www.wika.de