

Hydraulic ring force transducer Geotechnical version up to 3,200 kN Model F6160



WIKA data sheet FO 52.22

Applications

- Civil engineering and special construction
- Tunnel construction
- Mining (surface and underground)
- Surveying and bridge building
- Slope stabilisation, retaining walls and excavations

Special features

- Measuring ranges 0 ... 400 kN to 0 ... 3,200 kN
- Relative linearity error ± 1.0 % with analogue pressure gauge, ± 0.5 % with digital pressure gauge or pressure sensor
- Piston stroke ≤ 0.5 mm
- Operates without supply voltage
- Case and piston made of galvanised steel



Hydraulic ring force transducer, model F6160

Description

The model F6160 hydraulic ring force transducer, geotechnical version, is available in nominal size NS 383 up to 3,200 kN. The ring force transducers in geotechnical version are hydraulic force measuring units which, in conjunction with measuring or display instruments, can directly display the measured values or output them as an analogue signal. It is an extremely robust design in line with the requirements of geotechnical engineering.

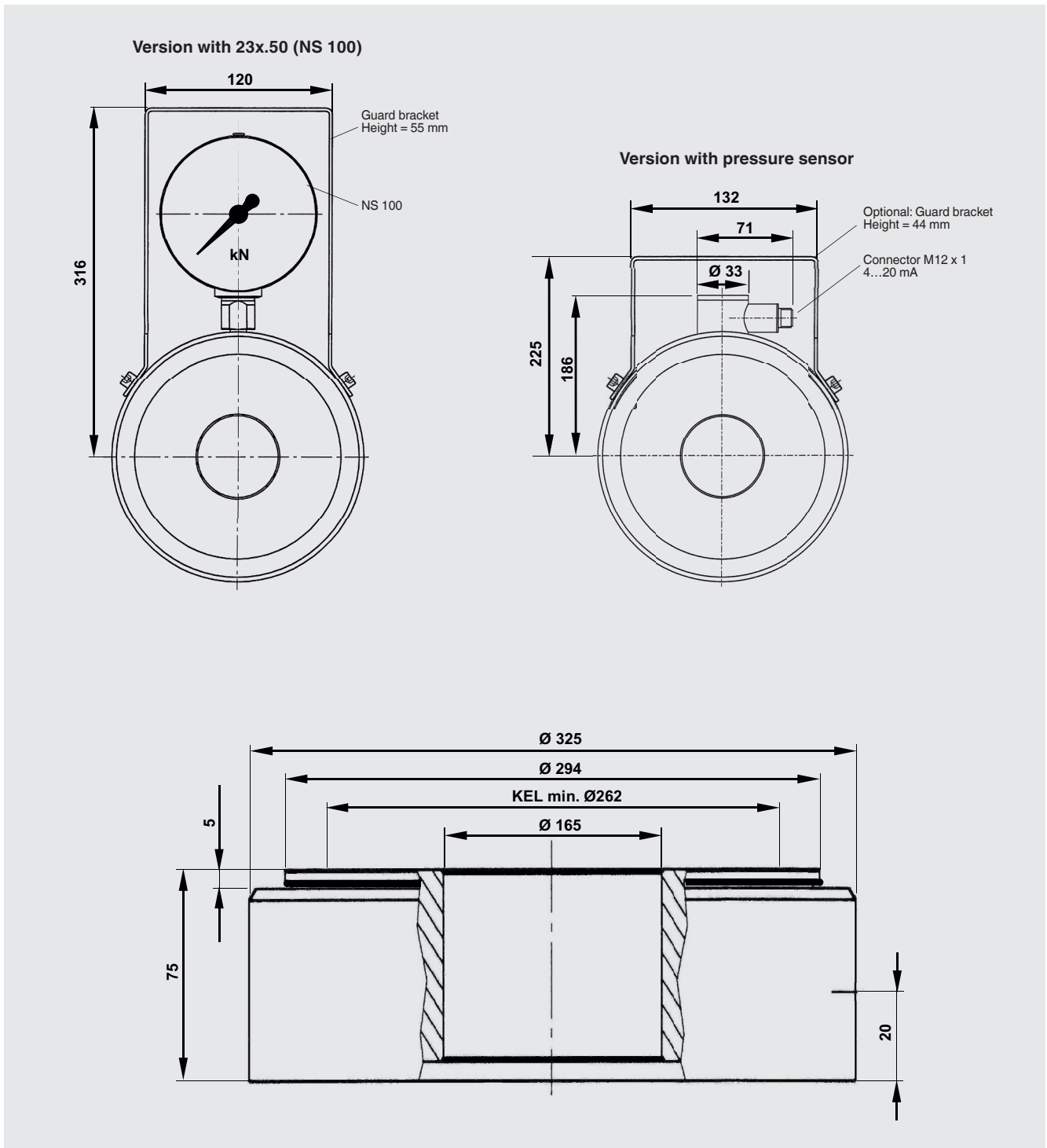
The force is measured using the principle of hydraulics: the force acting on a piston leads to a pressure increase. This is then visualised, either directly by a connected display instrument or converted by means of a pressure sensor into an analogue signal.

With these hydraulic force measuring units, clamping forces are detected at the anchor head in a simple way and brought directly to the display. The force measuring units are used for continuous monitoring of anchors and other bracing rods/cables. Applications for hydraulic force measuring units can be found in the field of geotechnology in various fields such as tunnel construction, bridge building and slope stabilisation.

Specifications per VDI/VDE/DKD 2638

Model F6160	
Rated force F_{nom}	0 ... 400 kN to 0 ... 3,200 kN
Nominal size	NS 383
Display <ul style="list-style-type: none"> ■ Standard ■ Option 	Pressure gauge 23x.50 (NS 100) Digital pressure gauge DG-10 Pressure sensor (on request)
Relative linearity error d_{lin} <ul style="list-style-type: none"> ■ Standard ■ Option 	$\leq \pm 1.0 \% F_{nom}$ (analogue display) $\leq \pm 0.5 \% F_{nom}$ (pressure sensor/digital pressure gauge)
Temperature effect on <ul style="list-style-type: none"> ■ the characteristic value TK_C ■ the zero signal TK_0 	1 % $F_{nom}/10 K$ 1 % $F_{nom}/10 K$
Limit force F_L	100 % F_{nom}
Breaking force F_B	> 130 % F_{nom}
Rated displacement s_{nom}	< 0.5 mm
Rated temperature range $B_{T, nom}$	-30 ... +60 °C
Ingress protection (per EN/IEC 60529) <ul style="list-style-type: none"> ■ Analogue display ■ Pressure sensor/digital pressure gauge 	IP65 IP67
Case <ul style="list-style-type: none"> ■ Standard ■ Option 	Steel, galvanised Stainless steel
Piston <ul style="list-style-type: none"> ■ Standard ■ Option 	Steel, galvanised Stainless steel
Guard bracket <ul style="list-style-type: none"> ■ Analogue display ■ Pressure sensor/digital pressure gauge 	yes optional
Mounting type <ul style="list-style-type: none"> ■ Analogue display ■ Pressure sensor/digital pressure gauge ■ Option 	direct direct Capillary, measuring hose for "separation without any losses"
Analogue output <ul style="list-style-type: none"> ■ Supply voltage ■ Load ■ Electrical connection ■ Option 	4 ... 20 mA, 2-wire, DC 0 ... 30 V for current output $\leq (UB - 6 V)/0.024 A$ Circular connector M12 x 1, 4-pin Hand-held measuring instrument ViSens E3908
Fill fluid	Glycerine 70 %, water 30 %
Force introduction	as full-faced as possible, min. 75 % of the piston diameter
Weight in kg	36

Dimensions in mm



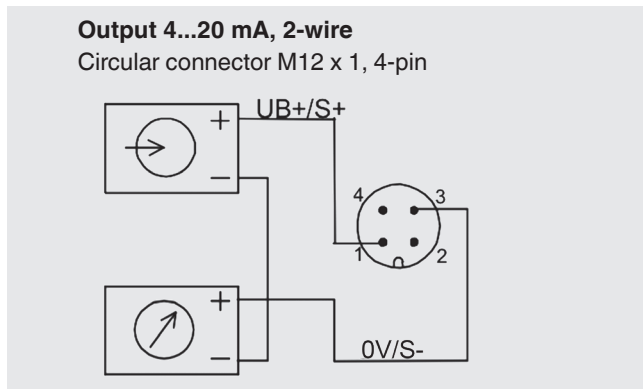
The sealed threaded connections of the hydraulic force transducer must not be loosened!
Non-compliant handling invalidates the warranty and a measuring function is no longer assured.

Version		Display
Rated force	System pressure	23x.50
kN	bar	
400	100	■
600	160	■
1,000	250	■
1,200	315	■
1,500	400	■
2,000	500	■
2,400	600	■
2,800	700	■
3,200	800	■

Other rated loads and versions on request

■ = possible selection

Pin assignment, analogue output



4...20 mA (2-wire)		
	Pin	Connection identification
Supply UB+	1	brown
Supply 0V/UB-	3	blue
Signal S+	1	brown
Signal S-	3	blue
Shield Ⓧ	case	case

© 2019 WIKA Alexander Wiegand SE & Co. KG, all rights reserved.
The specifications given in this document represent the state of engineering at the time of publishing.
We reserve the right to make modifications to the specifications and materials.

