

Single point load cell

Up to 500 kg

Model F4818

WIKA data sheet FO 53.14

Applications

- Electronic precision scales
- Industrial weighing systems
- Test devices

Special features

- Measuring ranges 0 ... 20 kg up to 0 ... 500 kg
- Made of aluminum
- High accuracy
- Insensitive to side and corner loads
- Simple structure, easy to install



Single point load cell, model F4818

Description

Single point load cells are especially designed to be used in platform trucks. They can be mounted under the platform without any further construction or calibration processes.

The load cell is easy to operate due to its simple way of the force direction. It applied vertically to the load cell axis.

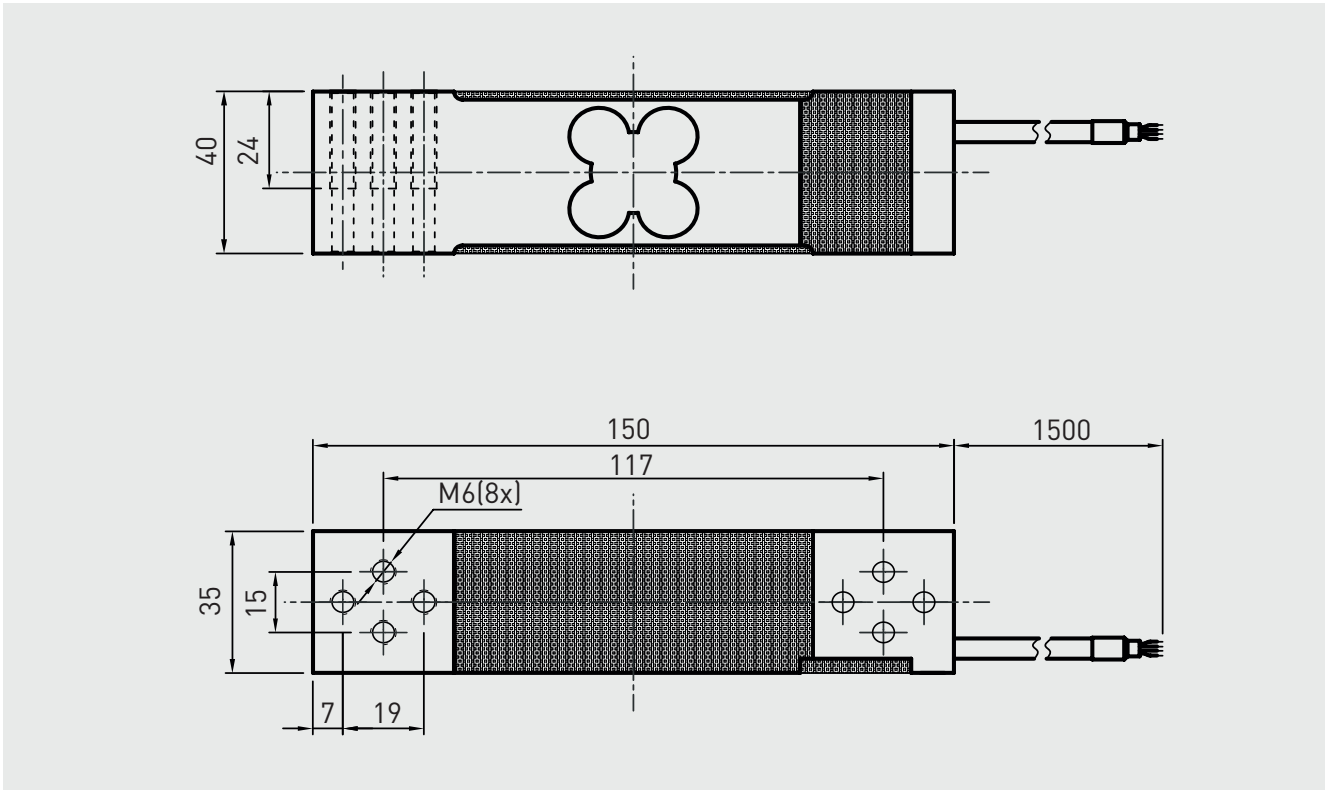
Note

The single point load cells are to be mounted on an even surface. The permitted load direction is marked with an arrow symbol.

Specifications in accordance with VDI/VDE/DKD 2638

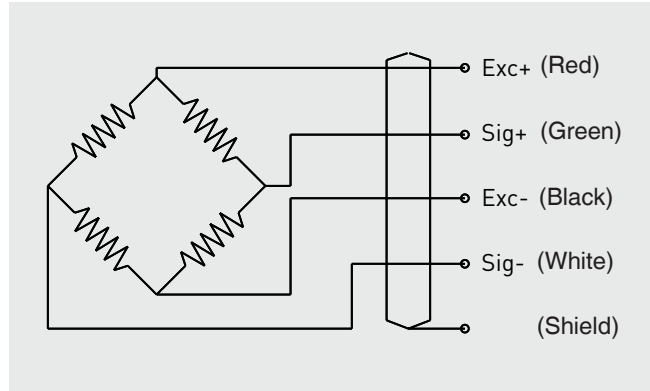
Model F4818	
Nominal load F_{nom} kg	20, 30, 50, 60, 100, 150, 200, 250, 300, 350, 500
Relative linearity error d_{lin}	$\pm 0.02 \% F_{nom}$
Relative creep, 30 min.	$\pm 0.02 \% F_{nom}$
Relative reversibility v	$\pm 0.02 \% F_{nom}$
Relative deviation of zero signal $d_{S,0}$	$\pm 2 \% F_{nom}$
Temperature effect on zero signal TK_0	$\leq \pm 0.025 \%/10\text{ }^\circ\text{C}$
Temperature effect on characteristic value TK_C	$\leq \pm 0.025 \%/10\text{ }^\circ\text{C}$
Force limit F_L	$120 \% F_{nom}$
Breaking force F_B	$200 \% F_{nom}$
Material	Aluminium
Rated temperature range $B_{T, nom}$	$-10 \dots +40\text{ }^\circ\text{C}$
Operating temperature range $B_{T, G}$	$-20 \dots +60\text{ }^\circ\text{C}$
Input resistance R_e	$410 \pm 10\ \Omega$
Output resistance R_a	$350 \pm 5\ \Omega$
Insulation resistance R_{is}	$\geq 2,000\ \text{M}\Omega/\text{DC } 100\ \text{V}$
Output signal (rated output) C_{nom}	$2.0 \pm 10 \% \text{ mV/V}$
Electrical connection	Cable $\varnothing 5 \times 1,500\ \text{mm}$
Rated range of excitation voltage $B_{U, nom}$	$10\ \text{V (max. } 15\ \text{V)}$
Protection (acc. to IEC/EN 60529)	IP65
Platform size	$450 \times 450\ \text{mm}$
Weight in kg	0.6

Dimensions in mm



Pin assignment

Electrical connection	
Excitation voltage (+)	Red
Excitation voltage (-)	Black
Signal (+)	Green
Signal (-)	White
Screen ⊕	Screen



© 2019 WIKA Alexander Wiegand SE & Co. KG, all rights reserved.
 The specifications given in this document represent the state of engineering at the time of publishing.
 We reserve the right to make modifications to the specifications and materials.

