

Illumination unit

For sight glass level indicator

Model LGI

WIKA data sheet LM 33.02



for further approvals
see page 2

Applications

- Better identification of liquid and gaseous phase
- Direct indication of the level
- Chemical industry, petrochemical industry, oil and natural gas extraction (on- and offshore), shipbuilding, machine building, power generating equipment, power plants

Special features

- Simple mounting of the illumination system
- Illumination types available for different applications
- Operating temperature: depending on illumination method
- Matching to the respective length of the glass indicator



Illumination unit with LED light source, model LGI-L

Description

An illumination unit model LGI can be used for transparent or refraction indicators. It improves the identification of the transition from the liquid to the gaseous phase.


There are various systems available, which can be matched to the respective application. Depending on the version, LEDs or sodium vapour lamp can be used as a light source.

Model overview

Model	Description	Temperature range
LGI-L	Illumination unit with LED light source	-40 ... +85 °C
LGI-LD	Illumination unit with LED light source, Ex d	-20 ... +60 °C
LGI-N	Illumination unit with sodium vapour lamp	-20 ... +150 °C
LGI-LE	Illumination unit with LED light source, Ex e	-25 ... +60 °C

Approvals




■ Model LGI-L

Logo	Description	Country
	EU declaration of conformity RoHS directive	European Union

■ Model LGI-N

Logo	Description	Country
	EU declaration of conformity <ul style="list-style-type: none"> ■ Low voltage directive ■ RoHS directive 	European Union

■ Model LGI-LD

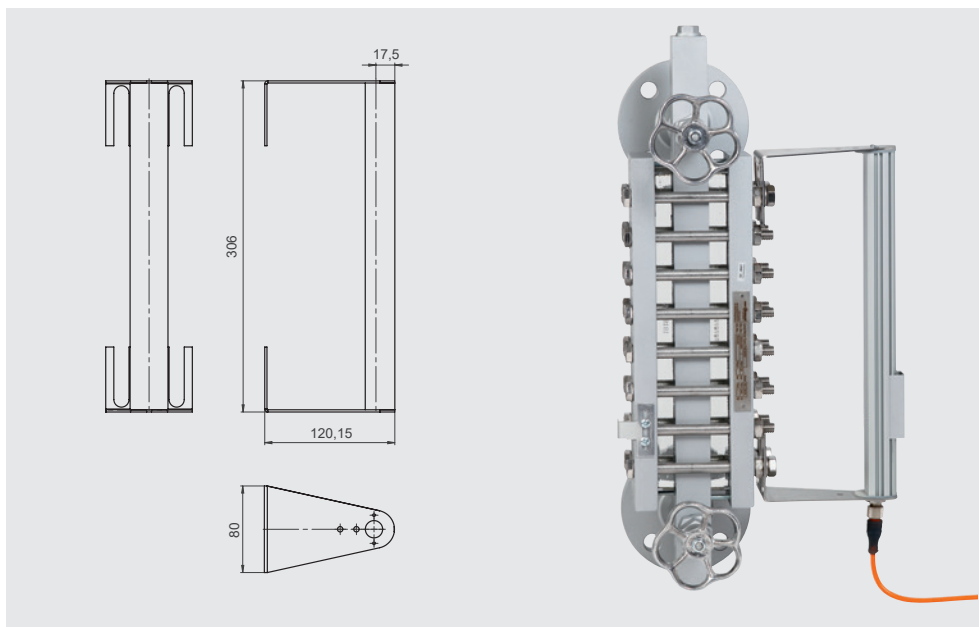
Logo	Description	Country
	EU declaration of conformity <ul style="list-style-type: none"> ■ Low voltage directive ■ RoHS directive 	European Union
	<ul style="list-style-type: none"> ■ ATEX directive Hazardous areas II 2GD Ex db IIC T6 Gb II 2GD Ex tb IIIC T54°C ... T74°C Db IP66	
	IECEx (option) Hazardous areas Ex db IIC T6 Gb Ex tb IIIC T54°C ... T74°C Db IP66	European Union

■ Model LGI-LE

Logo	Description	Country
	EU declaration of conformity <ul style="list-style-type: none"> ■ Low voltage directive ■ RoHS directive 	European Union
	<ul style="list-style-type: none"> ■ ATEX directive Hazardous areas II 2G Ex eb mb op is IIC T4 Gb II 2D Ex tb IIIC T130°C Db	

Approvals and certificates, see website

Illumination unit with LED light source
For sight glass level indicator (transparent indicator)
Model LGI-L

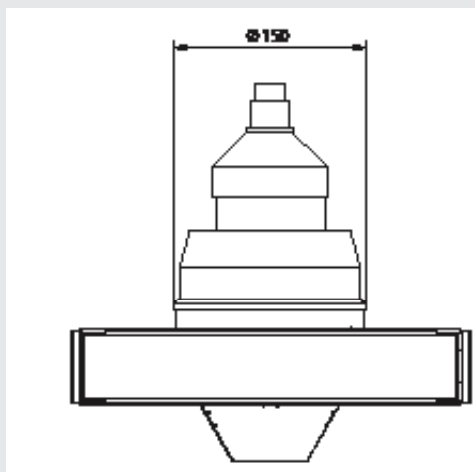
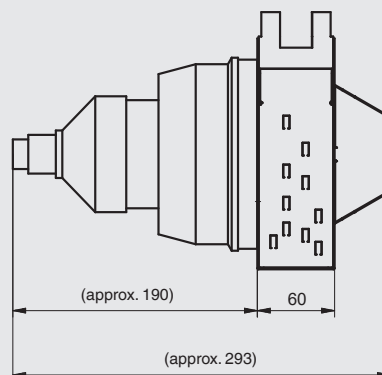
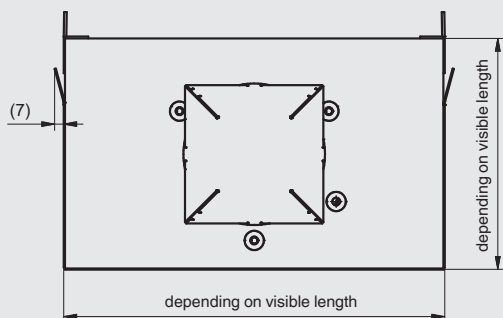


Specifications	
Light source used	LumiFlex Economy 35
Operating voltage	DC 24 V
Electrical power	4.8 W/m
Current	200 mA/m
Length	to 1,600 mm
Case material	Aluminium
Service life	40,000 h
Electrical connection	M12 connector (male)
Dimensions of illumination	
Length	Depending on visible length
Width	35 mm
Depth	120 mm
Ambient temperature	-40 ... +85 °C
Ingress protection	IP66
Weight	Length-dependent
Accessories (optional)	Connection cable

Illumination unit with LED light source
For sight glass level indicator (transparent indicator)
Model LGI-LD



II 2GD Ex db IIC T6 Gb / II 2GD Ex tb IIIC T54°C ... T74°C Db IP66

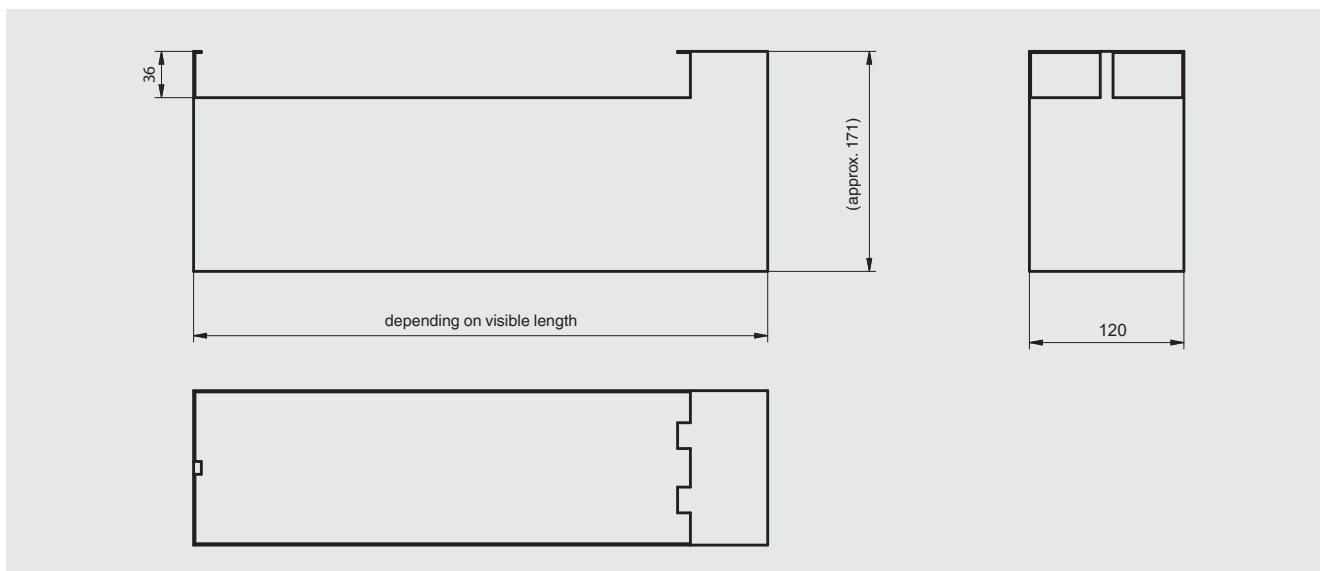


Specifications

Light source used	Cortem LampLED 8 W
Operating voltage	AC 230 V
Frequency	50 ... 60 Hz
Electrical power	8 W
Case material	Stainless steel 1.4301
Service life	2,000 h
Electrical connection	Cable entry 3/4 NPT female (adapter and cable gland optional)
Dimensions of light control box	
Length	Depending on visible length
Width	58 mm
Depth	180 ... 300 mm ¹⁾
Ambient temperature	-20 ... +60 °C
Ingress protection	IP66
Weight	Length-dependent

1) Depending on the version

**Illumination unit with sodium vapour lamp
For sight glass level indicators (refraction indicator)
Model LGI-N**



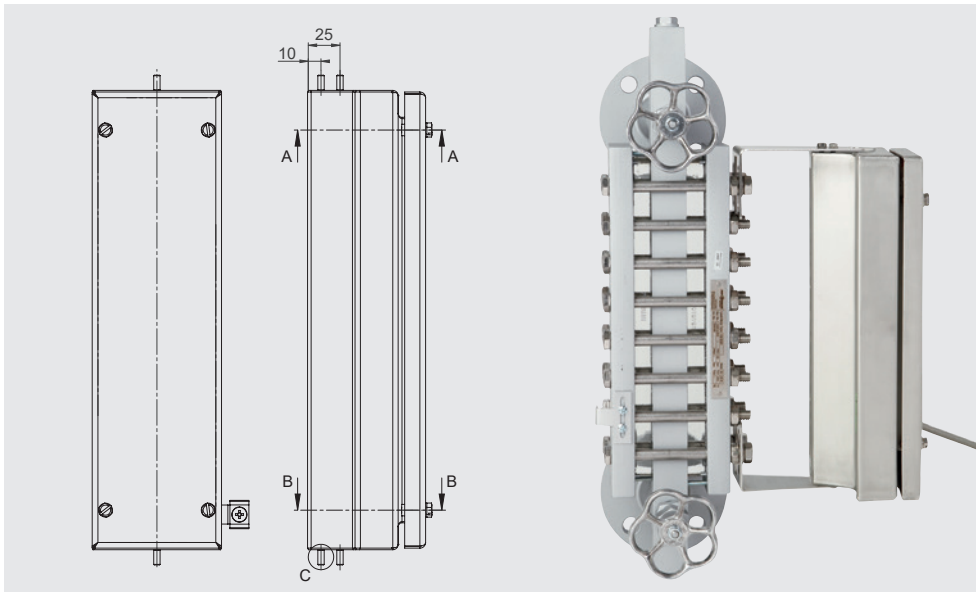
Specifications	
Light source used	Philips BY22d 18/9 TV-SOX-E 35 ... 55 W ¹⁾
Operating voltage	AC 230 V
Electrical power of the lamp	35 ... 55 W ¹⁾
Current	16 A
Case material	Stainless steel 1.4301 (304)
Service life	6,000 h
Electrical connection	Cable gland M20 x 1.5
Dimensions of control cabinet	
Height	380 mm
Width	380 mm
Depth	210 mm
Dimensions of light	
Length	Depending on visible length
Width	60 mm
Depth	60 mm
Ambient temperature (light)	-20 ... +150 °C
Ingress protection	IP65
Weight	
Light	approx. 3 kg
Control cabinet	approx. 15 kg

1) Depending on the version



Illumination unit with LED light source
For sight glass level indicators (transparent indicator)
Model LGI-LE

II 2G Ex eb mb op is IIC T4 Gb / II 2D Ex tb IIIC T130°C Db



Specifications	
Light source used	TNCLS backlight
Operating voltage	<ul style="list-style-type: none"> ■ AC 220 ... 240 V ■ AC 254 V
Frequency	50 ... 60 Hz
Electrical power	approx. 4 W/m
Case material	Stainless steel 1.4404 (316L)
Service life	60,000 h
Dimensions	
Length	Depending on visible length
Width	100 mm
Depth	128 mm
Ambient temperature	-20 ... +70 °C
Ingress protection	IP66
Weight	7.3 kg/m

Ordering information

Model / Light source / Ambient temperature min./max. / Visible length / Sight glass level indicator present (serial number, order confirmation number) / Approvals / Options

© 12/2020 WIKA Alexander Wiegand SE & Co. KG, all rights reserved.
 The specifications given in this document represent the state of engineering at the time of publishing.
 We reserve the right to make modifications to the specifications and materials.



WIKA Alexander Wiegand SE & Co. KG
 Alexander-Wiegand-Straße 30
 63911 Klingenberg/Germany
 Tel. +49 9372 132-0
 Fax +49 9372 132-406
 info@wika.de
 www.wika.de