



Ultrasonic Flowmeter FLC-UFL

Additional languages available on www.wika.com

Prior to starting any work, read the operating instructions!
Keep for later use!

Table of contents

1. Introduction	5
2. About this document	5
2.1 Conventions	5
2.2 Related documents	5
2.3 Abbreviations	5
3. Important information	6
3.1 Main hazards	6
3.2 Intended use	6
3.3 Identification	6
3.4 Operation in explosive atmospheres	6
3.5 Restrictions for use	6
3.6 Cleaning	6
3.7 User responsibility	5
3.8 Additional documentation.	6
4. FLC-UFL Series Product Description	7
4.1 Principle of operation	7
4.2 System components	7
4.2.1 Signal Processing Unit	7
4.2.2 Flowbody	7
4.2.3 Nameplate.	8
4.2.4 Flowbody nameplate	8
4.2.5 SPU nameplate	8
4.2.6 Spare parts and accessories	8
4.3 Interface	8
4.3.1 Ground screw	8
4.3.2 Main board - Power supply	8
4.3.3 Main board - Frequency out	8
4.3.4 SLOT 1 - RS485 Option board terminals (01-0020 / TIP007)	9
4.3.5 SLOT 1 - RS485 IO 4..20mA Option board terminals (01-0202 / TIP010).	9
4.3.6 SLOT 2 - P/T Option Board (01-0022 / TIP008)	9
4.3.7 SLOT 2 - 4..20mA Option board (01-0203 / TIP011).	10
4.4 Front interfaces	10
4.5 Display and keypad	10
4.6 LEDs.	10
4.7 USB Service interface and lock switch	10
5. Installation	11
5.1 Introduction	11
5.2 Installation in the pipeline	11
5.2.1 Installation configurations	11
5.3 Wiring of the FLC-UFL Series	12
5.3.1 Determining installed option boards	12
5.3.2 Main board terminals	12
5.3.3 Slot 1, RS485 Option board terminals (01-0020)	12
5.3.4 Slot 1, RS485 IO 4..20 mA Option board terminals (01-0202)	12
5.3.5 Slot 2, P/T Option board terminals (01-0022)	12
5.3.6 Slot 2, 4..20 mA option board (01-0203).	13
5.3.7 Galvanic isolation	13

6. Start-up and commissioning	13
6.1 Powering up	13
6.2 Connecting to the USB Service port	13
6.3 Connecting to a flowcomputer or external device on the RS485 port	13
6.4 Commissioning	13
7. Operation of the local user interface	14
7.1 LED indicators	14
7.2 Keypad	14
7.3 Normal operating mode screens	14
7.3.1 Contrast Control	14
7.4 Main Menu.	15
7.4.1 Available menu options	15
7.4.2 System info	15
7.4.3 Display Test	15
7.4.4 Diagnostic Display	15
7.4.5 USB Service mode.	16
7.4.6 Clearing errors	16
8. Maintenance	16
8.1 Inspection of measurement and diagnostic data	16
8.1.1 Performances	16
8.1.2 Velocity of Sound (VoS)	16
8.1.3 Gas Velocity (VoG).	16
8.1.4 Gain (AGC AB and AGC BA)	16
8.1.5 Signal to noise ratio (SNR AB and SNR BA).	17
8.1.6 Velocity of gas ratio (VOG ratio) and profile factors	17
8.1.7 Velocity of sound ratio (VOS ratio)	17
8.1.8 Path Status (PathStatus AB and PathStatus BA)	17
9. Sealing, Shipping & Storage	17
9.1 Sealing	17
9.2 Shipping & Storage	17
Appendix A: Diagnostic Codes	18

1. Introduction

This manual provides information about the installation, operation and maintenance of the FLC-UFL series ultrasonic gas flowmeter. It contains information for correct operation and maintenance of this product. It also contains important instructions to prevent accidents and serious damages before commissioning and during operation. Furthermore, the information provided ensures trouble free and safe operation of the equipment. Read and understand this manual before operating the product. Follow strictly the safety instructions and warnings.

In the event of questions or need for additional information regarding specific matters about the FLC-UFL series, please contact Euromisure via email or telephone. This instruction manual is based on the latest information at the time of writing. It is provided subject to changes and updates.

We reserve the right to change the configuration and/or construction of our products at any time without obligation to update previously shipped products.

The warranty provisions stipulated in our Terms and conditions are applicable to the product.

Euromisure shall have no obligation if:

- Repair or replacement of equipment or parts has been required through normal wear and tear, or due to negligence of the purchaser.
- The equipment, or parts, have been maintained or repaired by other than an authorized representative of Euromisure, or have been modified in any manner without prior express written permission of the manufacturer.
- Non-original parts are used.
- Equipment is used improperly, incorrectly, carelessly or not in line with its nature and/or purpose.
- Use of this product with unauthorized equipment or peripherals, including, but not necessarily limited to, cables, testing equipment, computers, voltage, etc.

Euromisure is not responsible for the incidental or consequential damages resulting from the breach of any express or implied warranties, including damage to property, and to the extent permitted by law, damage for personal injury.

EN

2. About this document

This manual contains several sections, covering various aspects of the FLC-UFL series flowmeter.

- Chapter 1: Introduction
- Chapter 2: this chapter
- Chapter 3: Important information
- Chapter 4: FLC-UFL Series Product description
- Chapter 5: Installation
- Chapter 6: Startup and commissioning
- Chapter 7: Operation of the local user interface
- Chapter 8: Maintenance
- Chapter 9: Sealing, Shipping & Storage
- Appendices

2.1 Conventions

The following symbol and indication conventions are used throughout this manual.



WARNING!

... indicates hazards or unsafe practices that could result in severe personal injury or death.



ATTENTION!

... indicates potential hazardous or unsafe operations that could result in minor personal injury or damage of product or property. It is also used to indicate operations or practices

that could cause the product to operate in an unexpected way or provide results outside its specification.

2.2 Related documents

The last version of the referenced document is leading, unless otherwise specified.

[1] FLC-UFL Series Safety instructions

Author: Euromisure

Document Code: 81500907 FLC-UFL Series Safety Instructions.

[2] FLC-UFL Series Sealing locations

Author: Euromisure

Document Code: 81500906 FLC-UFL Series Flowmeter Sealing Locations.

2.3 Abbreviations

Acronym	Meaning
ATEX	ATmosphère Explosive
CSA	Canadian Standards Association
EMC	Electromagnetic Compatibility
FM	Factory Mutual
IEC	International Electrotechnical Commission

2. About this document / 3. Important information

EN

Acronym	Meaning
IECEX	International Electrotechnical Commission certification scheme for Explosive atmospheres
IS	Intrinsic Safety
ISO	International Organization for Standardization
LCD	Liquid Crystal Display
LVD	Low Voltage Directive
OIML	Organisation Internationale de Métrologie Légale
PCBA	Printed Circuit Board Assembly
PED	Pressure Equipment Directive
SPU	Signal Processing Unit
USM	Ultrasonic Flowmeter

3. Important information

3.1 Main hazards



WARNING!

Pressurized flammable gas flows through the Flowbody of the FLC-UFL series ultrasonic gas flowmeter. Do not remove any transducers or parts from the flowbody whilst the flowmeter is under pressure. Flammable gas can escape and parts may blow out.

3.2 Intended use

The FLS-UFL series ultrasonic gas flowmeter primary use is to measure the volume flow rate and gas velocity of gases in pipelines.

Optionally the FLC-UFL series can convert the volume flow at measuring conditions to base conditions as well as registering data on meter readings, diagnostics and other data.

3.3 Identification

Each FLC-UFL series flowmeter has two nameplates for identification, one on the SPU and one on the flowbody. Refer to chapter 4.2.3 for detailed information about the nameplates and identification.

3.4 Operation in explosive atmospheres

The FLC-UFL series flowmeters are suitable for use in potentially explosive atmospheres. Refer to the Safety instructions [1] (81500907 FLC-UFL Series Safety Instructions) for detailed information about this.

- ATEX Ex ia IIC T4 Gb
- IECEX Ex ia IIC T4 Gb

3.5 Restrictions for use

The FLC-UFL series flowmeters are suitable for use in pressurized lines within the design conditions specified on the flowmeter nameplate.

3.6 Cleaning

Only clean the FLC-UFL series ultrasonic flowmeter with a damp cloth. Do not use solvents for cleaning.

3.7 User responsibility

The user should read and understand the operating instructions prior to putting the FLC-UFL series ultrasonic flowmeter in use. All safety information should be observed. In case of doubt always contact Euromisure.

3.8 Additional documentation

Additional documentation is delivered with the product. This contains specific set-up data for the individual flowmeter. Depending on the configuration, the following documentation is delivered with the meter:

- Certificate of conformity / EX certificates
- Safety instructions
- Material certificates
- Inspection certificate:
 - ▶ Meter configuration sheet
 - ▶ Factory acceptance test report

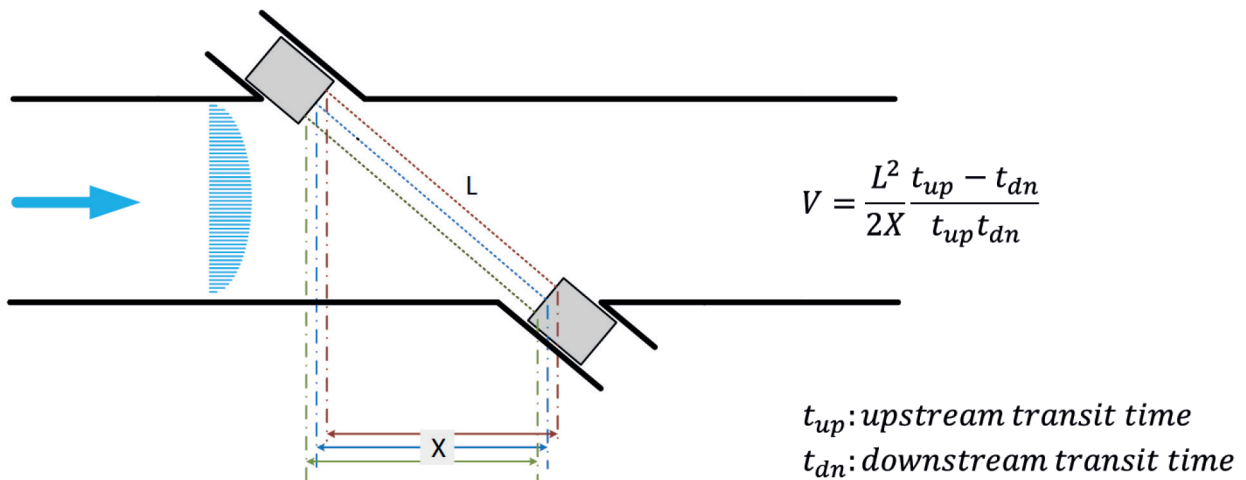
Furthermore, product information such as this manual can be downloaded from the website www.wika.com.

4. FLC-UFL Series description

4. FLC-UFL Series Product description

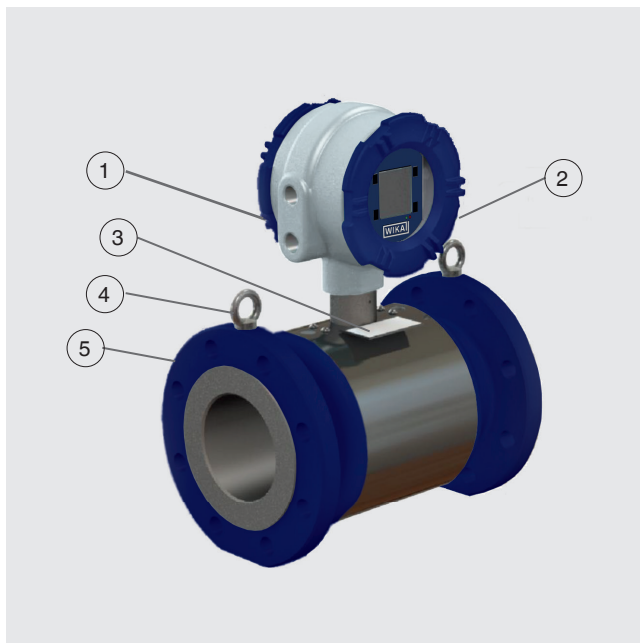
4.1 Principle of operation

The FLC-UFL series ultrasonic gas flowmeters operate according to the transit time difference measurement.



Measured ultrasonic signal transit times t_{up} and t_{dn} are defined by the sound and gas velocity. Gas velocity V is proportional to the difference between the signal transit times. Changes in the sound velocity caused by pressure or temperature fluctuations do not affect the calculated gas velocity with this measurement method. The FLC-UFL series ultrasonic gas flowmeter calculates the volume flow rate based on the gas velocity and the Flowbody internal diameter.

4.2 System components



- 1 SPU
- 2 SPU nameplate location
- 3 Meterbody nameplate
- 4 Eyebolt
- 5 Meterbody

4.2.1 Signal Process Unit

The Signal Processing Unit (SPU) consists of a mainboard that contains all the electronic circuits for operation of the unit. In addition to the mainboard, two additional boards can be placed for extra functionality such as pressure and temperature sensor interfaces and additional Input/Output interfaces. The mainboard interfaces to the transducers and controls the complete measuring process. All interfaces are intrinsically safe, except the USB service port.

4.2.2 Flowbody

The Flowbody is used to install the FLC-UFL series flowmeter in the pipeline. It is available in various pipe sizes, pressure ratings and flange types.

The FLC-UFL series comprises of a Signal Processing Unit (SPU), Flowbody with transducers, nameplate with essential information and eyebolts for lifting purposes.

4. FLC-UFL Series description

EN

4.2.3 Nameplate

Nameplates and labels are fitted on the FLC-UFL Series flowmeter for identification and providing details on the specific product as well as safety related information. Together with the safety instructions and this manual, it specifies how to use the product and how it is designed and certified.

The main nameplate is fitted on the Flowbody and provides information on mechanical design conditions as well as flow related information such as meter factor and range.

The meter's serial number is also provided on this nameplate.

The nameplate on the SPU provides the relevant electrical and hazardous area approval details according to ATEX, IECEx.

The electronic individual serial number is provided on this nameplate. Refer to the Safety instructions for an example of this nameplate.

4.2.4 Flowbody nameplate

The Flowbody nameplate contains information about:

- Company name and address
- Type of Ultrasonic flowmeter
- Model identification
- Flow range information
- Pressure and temperature range
- Mechanical design parameters (design code, design pressure and temperature)
- Sizing and weight
- Serial numbers
- Year-Month
- Warning: Read instruction manual before operating device.

4.2.5 SPU nameplate

The SPU nameplate contains information about:

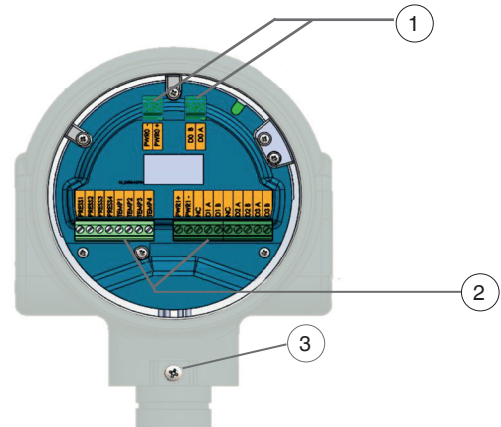
- Company name and address
- Type of Ultrasonic flowmeter Electronics
- Hazardous area approval
- Model identification
- SPU Serial Number
- SPU Power Requirements
- Year of manufacture
- Substitution of components may impair intrinsic safety
- Install per drawing 81500909.

4.2.6 Spare parts and accessories

Please contact Euromisure for spare parts and accessories.

4.3 Interfaces

The FLC-UFL series flowmeter has several electrical interfaces. This chapter describes their function, operating parameters and intrinsic safety relevant information.



- ① Main Board Terminal Blocks
- ② Option Board Terminal Blocks
- ③ Ground Screw

4.3.1 Ground screw

A ground screw is provided to connect the FLC-UFL series flowmeter to ground / earth.

4.3.2 Main board - Power supply

The FLC-UFL series flowmeter requires an external intrinsically safe power supply.

Signal	Function
PWR -	Power supply
PWR +	



WARNING!

The power supply interfaces of the FLC-UFL series flowmeter are reverse polarity protected up to 250 mA max. Always connect via a suited intrinsically safe isolator or barrier.

Refer to Control drawing 81500909 for detailed information.

4.3.3 Main board - Frequency out

A frequency out / pulse output is available on the mainboard (base configuration). The main purpose of this output is to provide pulses proportional to the volume flowing through the pipeline. The number of pulses per unit volume (m³ or cubic feet) is printed on the nameplate.

Signal	Function
D0_B	Frequency output -
D0_A	Frequency output +

4. FLC-UFL Series description

4.3.4 SLOT 1 - RS485 Option board terminals (01-0020 / TIP007)

Optionally the FLC-UFL series flowmeter can be fitted with an I/O option board, extending the functionality of the system. The option board requires a separate intrinsically safe power supply.

Signal	Function
PWR1 +	Option board power supply
PWR1 -	Option board power supply
D1_B	RS485 B
D1_A	RS485 A
D2_B	Digital output -
D2_A	Digital output +
D3_B	Digital output -
D3_A	Digital output +

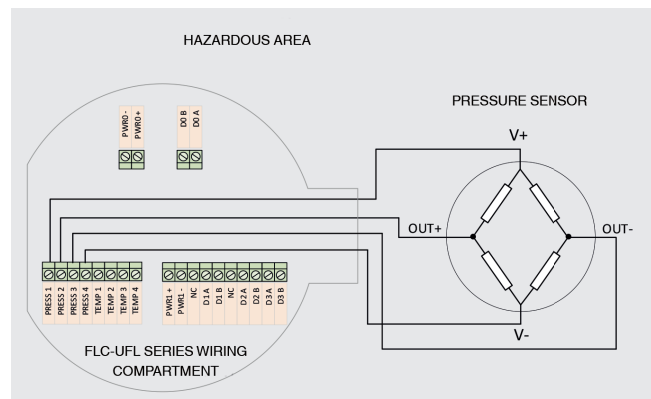
4.3.5 SLOT 1 - RS485 IO 4..20 mA Option board terminals (01-0202 / TIP010)

When the FLC-UFL series flowmeter is fitted with the RS485 IO 4..20 mA option board, the option board requires a separate intrinsically safe power supply. The board's supply at the same time will function as a 4..20 mA output.

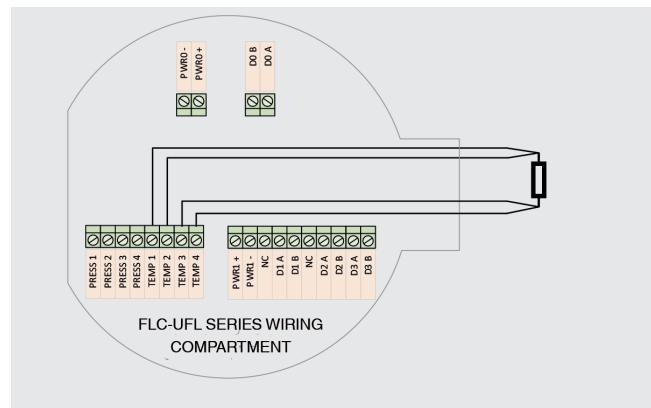
Signal	Function
PWR1 +	Option board power supply / 4..20 mA loop
PWR1 -	Option board power supply / 4..20 mA loop
D1_B	RS485 B
D1_A	RS485 A
D2_B	Digital output -
D2_A	Digital output +
D3_B	Digital output -
D3_A	Digital output +

4.3.6 SLOT 2 - P/T Option Board (01-0022 / TIP008)

In addition, the FLC-UFL series flowmeter can be fitted with an optional Pressure / Temperature board, extending the functionality of the system with pressure and temperature measurement capabilities. This enables the FLC-UFL series flowmeter to calculate base volume using PTZ conversion. A pressure and temperature sensor are then supplied by Euromisure. Refer to the safety instructions for information on compatible sensors. When wiring the sensors to the FLC-UFL always use shielded cable and ensure the shield is connected to ground.



Pressure sensor wiring



Temperature sensor wiring



WARNING!

ONLY CONNECT APPROVED PRESSURE AND TEMPERATURE SENSORS. MAXIMUM CABLE LENGTH TO THE SENSORS MAY NOT EXCEED 2 m (6.7 ft).



ATTENTION!

The interface of the PT option board is configured for 4 wire PT100 sensors and voltage mode pressure sensors.

EN

4. FLC-UFL Series description

4.3.7 SLOT 2 - 4..20 mA Option board (01-0203 / TIP011)

When equipped with this option board, a passive (externally powered) mA output is available. The output is software configurable for any parameter required, however normally it is used for flowrate, gas velocity etc. Using the PC tool, it can be configured and calibrated.

4.5 Display and keypad

The front of the FLC-UFL series electronics is equipped with a graphical 128x128 dot matrix LCD graphic display. Four navigation keys are located at the corners of the display for operation of the local user interface.

4.6 LEDs

Two LEDs are provided on the front panel. Their function is explained in detail in chapter 7.

LED	Function
Green LED	Power indication
Red LED	Status / Error indication

4.7 USB Service interface and lock switch

A mini USB connector is present for connection of a laptop on the right side of the display.



ATTENTION!

This interface is not intrinsically safe and therefore powered by the USB host (laptop or computer). It may be used in a safe area only or after taking suitable precautions such as gas detection. Refer to the Safety instructions [1] for further details.

The parameter lock switch is located below the USB connector and provides a way to lock all relevant parameters. This switch can be protected with a tamper proof sticker. Refer to chapter 9 (Sealing) for more details on the lock switch.

Note: the sticker shall also covers one of the display bracket screws.

EN

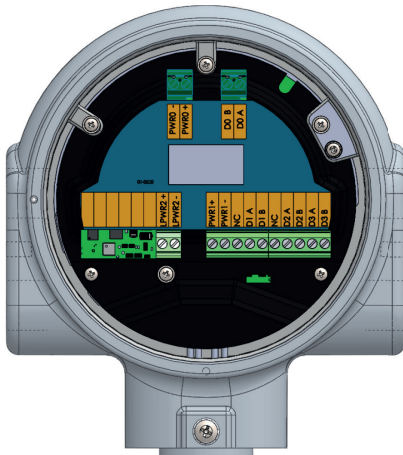
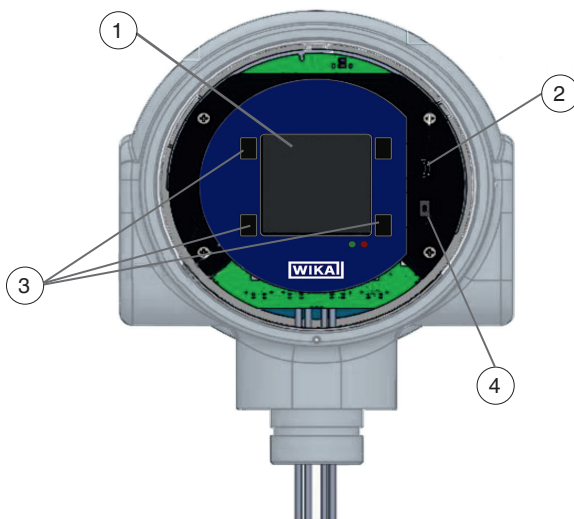


Figure 4.3.7: Display, keypad, USB and switch

4.4 Front interfaces



- ① Display
- ② USB connector
- ③ Keys
- ④ Lock switch

5. Installation

5. Installation

5.1 Introduction

It is very important to check the shipment of your ultrasonic flowmeter equipment. By means of a visual inspection of surfaces, paint, flange sealing faces and electronics housing should be performed. In case of damage, contact Euromisure immediately. In addition verify all the necessary documentation is available as well:

- Safety instructions [1]
- Installation, operation and maintenance manual (this document).

In addition to this additional documentation may be required based on project specifications. In the event documentation is missing contact Euromisure or your local representative immediately.

5.2 Installation in the pipeline

The FLC-UFL series ultrasonic flowmeter is shipped in a wooden crate. To open the crate remove the top panel nails or screws and disassemble the box. Remove the transport fixtures and then move the flowmeter (using the lifting lugs provided on the flow cell) to the installation site. Install the meter according to end-user's company regulations and applicable local and national requirements. To ensure optimal performance of the flowmeter, comply with the up- and downstream spool requirements specified for your particular application.

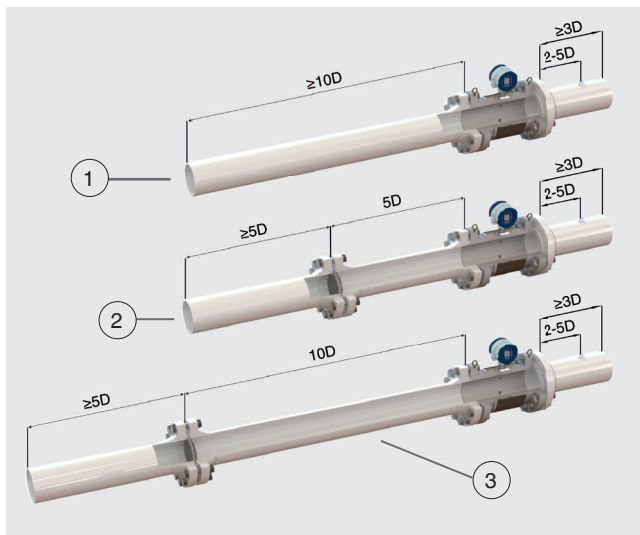


WARNING!

To avoid possible strain, ensure your lifting equipment is suitable for the weight of the FLC-UFL series flowmeter. Always use the eyebolts provided on the flowbody and make sure to use approved lifting equipment and the equipment shows no damage or wear.

5.2.1 Installation configurations

The recommended installation configurations are shown in the below figure. Refer to your specific type approval for approved installation configurations OIMLR137 and MID 2014/32/EU.



- 1 Configuration 1 - Recommended configuration without flow conditioner
- 2 Configuration 2 - Recommended configuration with flow conditioner
- 3 Configuration 3 - Conservative configuration with flow conditioner

For bi-directional flow:

- The upstream piping spools and flow conditioner as applicable from configurations 1, 2 and 3 can be used on both ends of the metering package.
- Any thermowell should be positioned 3 – 5 diameters away from meter flanges.



ATTENTION!

The installation orientation of the FLC-UFL series flowmeter is expected to be horizontal. Always consult with Euromisure for vertical installation requirements.

5. Installation

EN

5.3 Wiring of the FLC-UFL series

This chapter provides information for correct wiring of the FLC-UFL series flowmeter. The electronics enclosure is provided with up to four cable gland entries with metric (M20x1.5) or imperial (1/2" NPT) thread. Suitable shielded cables must be used (for signal and communication cables the use of twisted pair cables is recommended) whereby the cables are protected from mechanical damages as well as electrical interference. In addition, ensure length, diameter, core are suitable for the length required in the field. As a minimum 0.75 mm² core cross sectional area should be used. All terminal connections use the Phoenix contact MK3DSH series terminal blocks, suitable for wires with a core cross sectional area up to 2.5 mm².



ATTENTION!

For a reliable connection always use insulated wire end terminals compatible with the cable core cross sectional area.



WARNING!

REFER TO CONTROL DRAWING 81500909 FOR THE INTRINSIC SAFETY PARAMETERS.

5.3.1 Determining installed option boards

In order to determine which option boards are installed in your FLC-UFL series flowmeter, locate the FLC-UFL Electronics model number on the nameplate of the SPU. Using the table on the control drawing (drawing 81500909) determine which option boards are installed.

5.3.2 Main board terminals

Signal	Function	Operating parameters
PWR -	Power supply	Rated input voltage 12...29 VDC (After safety barrier)
PWR +		
D0_B	Frequency output -	0...5 kHz Passive open drain, not electrically isolated from system ground
D0_A	Frequency output +	



WARNING!

The power supply interfaces of the FLC-UFL series flowmeter are reverse polarity protected up to 250 mA max. Always connect via a suited intrinsically safe isolator or barrier. Refer to Control drawing 81500909 for detailed information.

5.3.3 Slot 1, RS485 Option board terminals (01-0020)

Signal	Function	Operating parameters
PWR1 +	Option board power supply	Power supply for the I/O option board (10-29 VDC) (After safety barrier)
PWR1 -	Option board power supply	
D1_B	RS485 B	Differential RS485 two wire communications port, galvanically isolated
D1_A	RS485 A	
D2_B	Digital output -	Passive, optically isolated open collector
D2_A	Digital output +	
D3_B	Digital output -	Passive, optically isolated open collector
D3_A	Digital output +	

5.3.4 Slot 1, RS485 IO 4..20 mA Option board terminals (01-0202)

Signal	Function	Operating parameters
PWR1 +	4..20 mA Loop / power supply	Power supply for the I/O option board and the 4..20 mA loop. (10-29 VDC, after safety barrier)
PWR1 -	4..20 mA Loop / Loop power supply	
D1_B	RS485 B	Differential RS485 two wire communications port, galvanically isolated
D1_A	RS485 A	
D2_B	Digital output -	Passive, optically isolated open collector
D2_A	Digital output +	
D3_B	Digital output -	Passive, optically isolated open collector
D3_A	Digital output +	

5.3.5 Slot 2, P/T Option board terminals (01-0022)

Signal	Function	Operating parameters
PRESS1	Bridge +	Connections to the resistive bridge type pressure sensor (factory default = voltage mode sensor). Refer to Safety instructions for approved pressure sensors, or contact Euromisure for more information
PRESS2	Signal +	
PRESS3	Signal -	
PRESS4	Bridge -	
TEMP1	Supply +	Connections to the RTD sensor (factory default = 4 wire PT100). Refer to Safety instructions for approved pressure sensors, or contact Euromisure for more information
TEMP2	Signal +	
TEMP3	Signal -	
TEMP4	Supply -	

81500908.01 08/2020 EN

5. Installation / 6. Start-up and commissioning

5.3.6 Slot 2, 4..20 mA option board (01-0203)

Signal	Function	Operating parameters
LPWR2+	Loop power supply	
LPWR2-	Loop power supply	

5.3.7 Galvanic isolation

In case galvanic isolation is required, the use of an external isolator on frequency output D0 is required.

EN

6. Start-up and commissioning

6.1 Powering up

After the SPU has been wired and powered up it is advisable to read out a complete list of parameters. In case of a flow calibrated meter, it is recommended to verify the parameters as found with the calibration parameters.

The parameters can be read with the dedicated software tool (consult Euromisure to obtain tool).

A serial connection can be made via the USB interface.



WARNING!

When connecting a PC or laptop in the hazardous area, ensure the rules and regulations to work with non EX equipment are met.

A flow calibrated meter should have the parameter lock switch closed and tamper proof sealing sticker in place. Make sure this is in place. Refer to chapter 9 for more details about sealing.

6.2 Connecting to the USB Service port

To connect to the FLC-UFL series via the USB Service port it may be necessary to put the FLC-UFL series flowmeter in USB Service mode. When the communication mode is set to the RS485 port, the USB Service mode enables to temporarily interface via the USB port. Refer to chapter 7.4 for details how to enable the USB service mode.



ATTENTION!

When USB Service mode is enabled it will temporarily disable the RS485 option board. When there is no activity for 60 seconds on the USB port the FLC-UFL series resumes normal operation again.

The default USB communication port settings are:

Baudrate	115400
Parity	None
Databits	8
Stopbits	1
Modbus address	1

6.3 Connecting to a flowcomputer or external device on the RS485 port

When fitted with an option board for RS485 communications the FLC-UFL series flowmeter can be connected to a flowcomputer or external device using the MODBUS RTU protocol. The default communication protocol and serial port settings are provided in below:

Baudrate	38400
Parity	None
Databits	8
Stopbits	1
Modbus address	1

The Modbus address map can be provided on request.

The FLC-UFL series flowmeter has a built in 120 ohm termination resistor in case the RS485 network needs to be terminated at this position. The switch shown in the following figure can be used for this.

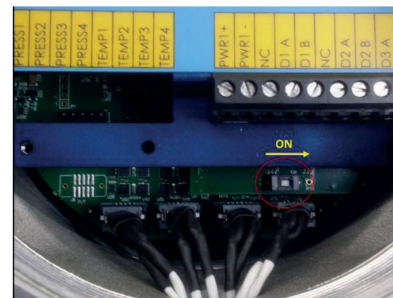


Figure 5-1 - Line termination resistor switch

6.4 Commissioning

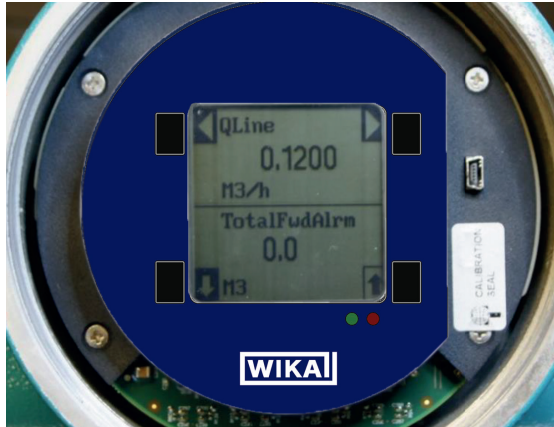
When possible verify operation of the flowmeter at (near) zero flow at known gas composition. Zero flow readings and diagnostics per path should be recorded and assessed. After this zero flow check, start the gas flow and monitor per path readings and diagnostics for proper operation of the device. Ensure that the frequency signal provided by the meter match the volume flow reading on the local LCD. It is recommended to log meter readings and diagnostics using the dedicated software tool during startup conditions.

7. Operation of the local user interface

7. Operation of the local user interface

7.1 LED indicators

The FLC-UFL series flowmeter has two LED indicators, located underneath the LC Display.



Their function is described in following tables.

Power LED - GREEN

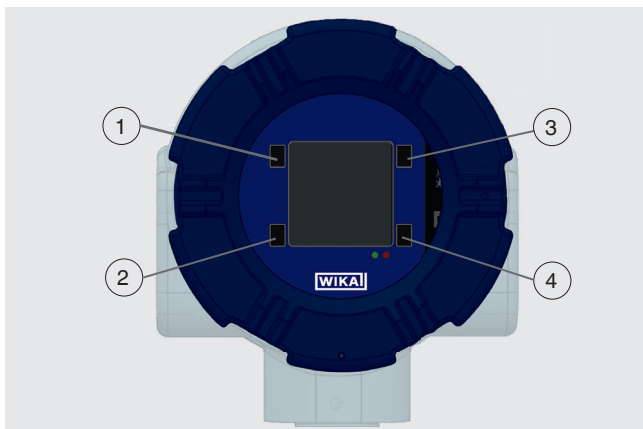
LED status	Interval	Description
Off	--	Power off
Green, flashing	2 sec	Power on, system running

Status LED - RED

LED status	Interval	Description
Off	--	Status OK
Red, flashing	1 sec	Warning
Red, flashing	0.5 sec	Error
Red, flashing	2 sec	Status OK, unacknowledged transient Error present

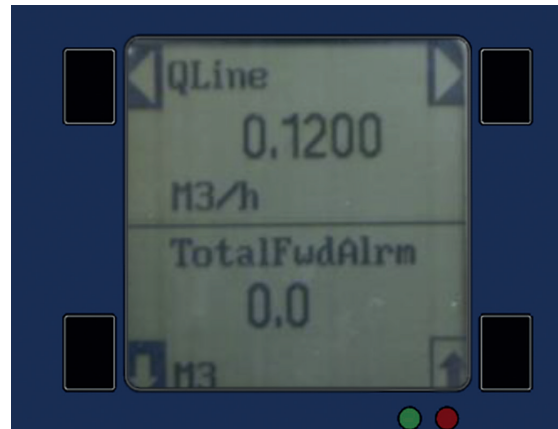
7.2 Keypad

The keypad has four function keys which correspond with a function shown in the corners of the LCD. Each key will have a function depending on the operating mode of the interface.



7.3 Normal operating mode screens

During normal operation the FLC-UFL series flowmeter provide the essential information on areas on the LCD. The following parameters can be displayed on both the upper and lower section of the LCD. Different parameters can be selected Using the keys on the keypad.



The upper display is "static" - that is only the selected parameter is displayed. The parameter may be changed manually using the ◀ <left> and ▶ <right> scroll keys. The lower display will automatically scroll through the remaining parameters. The full list of parameters is shown below.

The following parameters can be viewed.

- Totalized volume forward (TotalFwd)
- Totalized volume reverse (TotalRev)
- Totalized volume forward in alarm conditions (TotalFwdAlrm)
- Totalized volume reverse in alarm conditions (TotalRevAlrm)
- Volumetric flowrate (Qline)
- Velocity of Gas (VoGCor)
- Velocity of Sound (VoSAvg)
- Meter status (MeasStatus). For a list of status codes refer to Appendix A.

7.3.1 Contrast Control

The bottom two keys are used for contrast control. Use the ⬇ <-contrast> and ⬆ <+contrast> keys to adjust the contrast of the LCD.

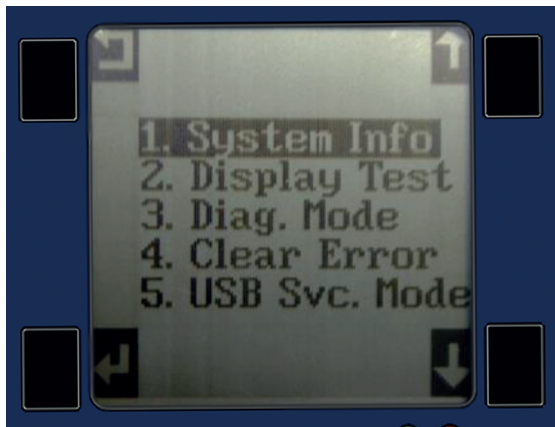
- ① KEY 1
- ② KEY 2
- ③ KEY 3
- ④ KEY 4

EN

7. Operation of the local user interface

7.4 Main Menu

Pressing the upper left key while in normal operating mode for 3 to 5 seconds will bring up the main menu of the FLC-UFL series flowmeter.



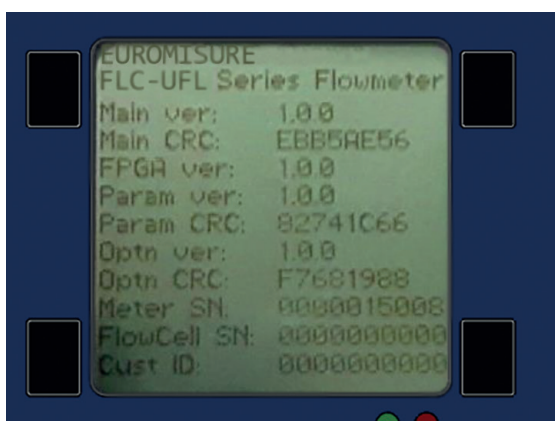
The four function keys have now changed into \uparrow <up>, \downarrow <down>, \square Escape <ESC> and \leftarrow Enter <ENT>. Using the up and down arrow keys a menu option can be selected, pressing <ENT> will show the highlighted menu or function. To go back one step, press <ESC>.

7.4.1 Available menu options

- 1 - System Info
- 2 - Display Test
- 3 - Diagnostic Menus
- 4 - Clear error
- 5 - USB Service mode (unavailable in "console" mode)

7.4.2 System Info

The System Info Menu provides information about the FLC-UFL Meter software and hardware. After a few seconds the display will exit to the Operating Mode.

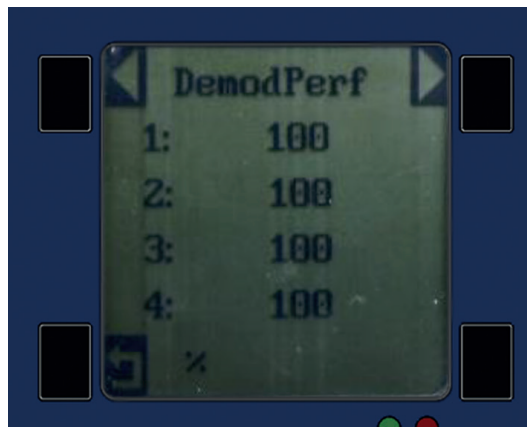


7.4.3 Display Test

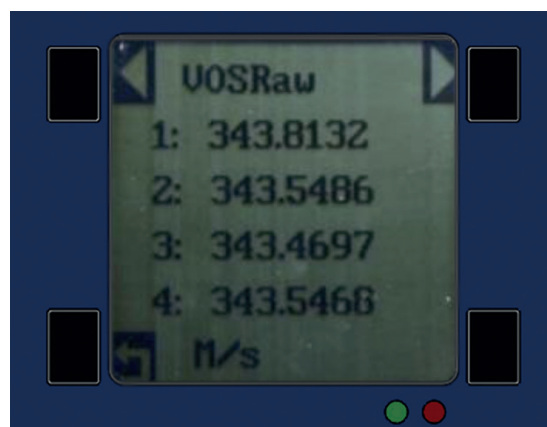
When Display Test is highlighted and selected using the \downarrow <down>, and then \leftarrow <ENT> a pattern will be scanned across the display to test all pixels. After the test the display will revert to the Operation Mode.

7.4.4 Diagnostic Display

When Diagnostic Display is highlighted and selected, the following screen will be displayed.



This screen shows diagnostic information for all enabled paths. Scroll to the next diagnostic value using the \rightarrow <right> scroll key.



The following diagnostic values may be displayed using the \leftarrow <left> and \rightarrow <right> scroll keys:

- Performance (**DemodPerf**)
- Velocity of Sound (**VOSRaw**)
- Gas Velocity (**VoG**)
- Gain AB (**AGC AB**)
- Gain BA (**AGC BA**)
- Signal to noise ratio AB (**SNR AB**)
- Signal to noise ratio AB (**SNR BA**)
- Velocity of gas ratios (**VoG ratio**)
- Velocity of sound ratio (**VoS ratio**)
- Path Status AB (**Status AB**)
- Path Status BA (**Status BA**)

The diagnostic values and interpretation is discussed further in section 8: Maintenance.

Pressing \square <ESC> will return to the normal operating display.

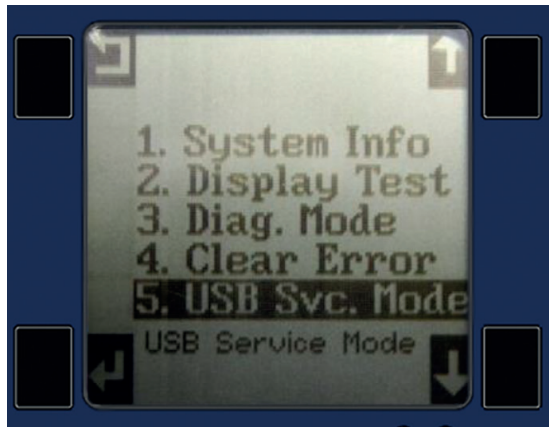
EN

7. Operation of the local user interface / 8. Maintenance

7.4.5 USB Service mode

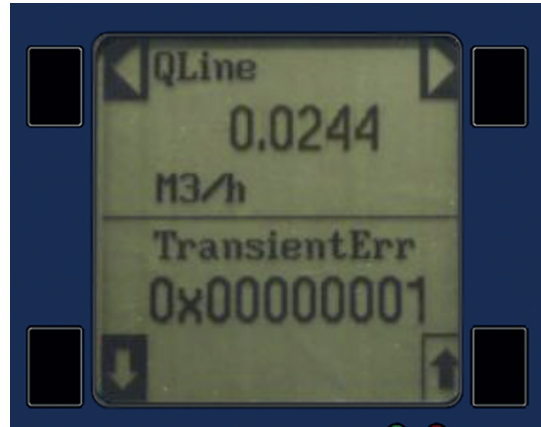
When USB Serv. Mode is highlighted and selected using the ↓ <down> and then ↵ <ENT>, the FLC-UFL series flowmeter will enter the USB service mode, enabling communications via the USB port.

A message “USB Service Mode” will be shown on the display.



7.4.6 Clearing errors

In the event an alarm or warning condition is active, the diagnostic code (refer to appendix A) is shown on the lower part of the LCD display until it is acknowledged by the user. Acknowledging alarms or warnings can be done via the main menu option 4 – Clear Alarms. If the error condition is still active the alarm or warning cannot be cleared.



When pressing ↵ <ENT> again the FLC-UFL series flowmeter will revert to the normal operation mode.

The dedicated software can be used to communicate via the USB port when in USB service mode.

EN

8. Maintenance

The FLC-UFL series ultrasonic flowmeter contains no moving parts. The sensors and electronics are virtually maintenance free, however periodic inspection is recommended at regular intervals.

By collecting a short log file of measurement and diagnostic data at known and repeatable conditions the meter's health status can be observed.

8.1 Inspection of measurement and diagnostic data

By comparing diagnostic data with previously collected data a good indication of the flowmeter's condition can be observed. Below chapters outline the most significant diagnostic indicators.

The display of diagnostic data is described in section 6.4.3 or may be downloaded from the USB port or RS485 optional I/O port using a Modbus protocol.

For the Modbus map or the dedicated software PC tool to download diagnostic and flow information contact Euromisure.

8.1.1 Performance

This diagnostic indicates the percentage of accepted ultrasonic signals per path. The lower limit is set to 20% by default. At high flows or very turbulent flows, some rejection

of ultrasonic signals may occur. The performance indicator is available for each path.

8.1.2 Velocity of Sound (VoS)

The FLC-UFL series flowmeter calculates the average velocity of sound (VoS) based on the individual measuring paths. The average VoS is simply the average of the paths. Individual VoS for each path is also provided. Under normal conditions the individual path velocities should be reading very close. When possible the theoretical velocity of sound using AGA-10 calculations based on temperature, pressure and gas composition may be compared to the measured average VoS.

8.1.3 Gas Velocity (VoG)

When possible the meter can be isolated from flowing conditions (using block valves). In this condition the meter should read less than 0.01 m/s. This is however extremely difficult to check due to natural convection inside the pipe and Flowbody as a result of slight temperature differences, causing the gas to circulate in the blocked pipe section.

8.1.4 Gain (AGC AB and AGC BA)

For each transducer the required gain in the receiver is

8. Maintenance / 9. Sealing, Shipping & Storage

controlled. Gain values should be in the normal operating range for all transducers.

Gain values depend on gas pressure, composition and velocity, therefore, gain values may differ between events.

Gain	Condition
>70	Very weak or no signal
10 - 70	Good
< 10	Very strong or saturated signal

8.1.5 Signal to noise ratio (SNR AB and SNR BA)

The SNR is calculated in dB for each received signal transducer. SNR values depend on gas pressure, composition and velocity.

The below table provide information on Signal to noise ratio conditions.

SNR	Condition
>50	Very good
25 - 50	Good
10 - 25	Poor – fair
<10	Bad

8.1.6 Velocity of gas ratio (VOG ratio) and profile factors

The velocity of gas ratio is calculated between paths and provides a good indicator of the flow profile in the meter (determined by upstream piping). Profile factors are calculated from the velocity of gas ratios. Profile factors are an easy way to “understand” the flow profile in the flowmeter.

8.1.7 Velocity of sound ratio (VOS ratio)

The velocity of sound ratio is a good indicator of problems, either in the process or in the FLC-UFL series signal detection. During normal condition the ratios should be very close to 1.0.

8.1.8 Path Status (PathStatus AB and PathStatus BA)

The Path Status diagnostic values provide a more detailed indication of the health of each path in each direction of transmission using an 8 digit number. A zero value (0x00000000) indicates that all parameters are within limits and no errors are present.

The error codes are tabulated in Appendix A.

EN

9. Sealing, Shipping & Storage

9.1 Sealing

For sealing locations refer to document [2] FLC-UFL Series Flowmeter Sealing Locations.

9.2 Shipping & Storage

Use suitable means for transportation, loading and unloading of the packed FLC-UFL Series flowmeter. The packing is not suitable for the use of strap belts and lifting by a crane.

If the flowmeter has been removed from its packaging, lifting and moving may only be carried out using suitable, properly fitted lifting lugs.

Take care that the meter will be installed on a vibration free location. Continuous vibration or shocks may have an adverse effect on the construction of the flow meter.

The dimensions and weight of the package depend on the type and size of the ultrasonic gas flow meter and are to be specified on the packing list.

If the FLC-UFL series flowmeter needs to be stored for a certain period of time before installation, the following storage conditions do apply:

- Never stack the (packaged) flowmeters.
- It is recommended to use a corrosion preventative coating (oil, WD40, tectyl) on all bare metal parts of the flowcell (e.g. inside, flange surfaces,...).

- Be aware to remove the corrosion preventative coating prior to putting the flowmeter in service.
- Storage temperature: -30 °C to 60 °C.
- Storage relative humidity: 5 – 95% RH, non-condensing
- Use moisture absorbing bags (silica gel) inside the SPU to protect the electronics from moisture.
- Inspect the stored flowmeter on a regular basis to ensure no condensation is present which may cause corrosion and /or damage to the electronics.
- When other piping components and/or flow conditioners are provided with the meter, also apply a corrosion preventative coating to any uncoated surfaces.



ATTENTION! - LONG TERM STORAGE

When the meter is stored for longer time, ensure that the meter is stored in a sheltered condition with a temperature between 0 °C and + 60 °C. The inside of the Flowbody should be protected from corrosion using a suitable corrosion preventive coating.

Appendix A: Diagnostic Codes

EN

Measurement Status / TransientErr								
	Diagnostic Status Bits				Set both AB/BA	Affects	WARNING	ERROR
	Hex Value	Decimal Value	Enum / Short Description	Long Description				
MeasStatus Values set for Meter Values	0x00000000	0	No_error	No Error				
	0x00000001	1	Warning	Measurement Warning			X	
	0x00000002	2	Error	Measurement Error				X
	0x00000004	4	CalSwitch_unlock	Calibration lock open			X	
	0x00000008	8	System_error	Inconsistency in system parameters				X
	0x00000010	16	FPGA_error	Inconsistency in FPGA parameters				X
	0x00000020	32	Flash_mem_error	Error accessing internal flash memory				X
	0x00000040	64	RTCBattFail	RTC clock battery failure			X	
	0x00000080	128	Ispace	Not enough power			X	
	0x00000100	256	Firmware_error	Firmware checksum error				X
	0x00000200	512	Factory_defaults	Started from factory defaults				X
	0x00000400	1024	ParamCRC_Error	Parameter checksum error				X
	0x00000800	2048	Optionboard_timeout	Option board does not respond			X	
	0x00001000	4096	TestMode	Meter is in test mode				X
	0x00002000	8192	DigOutOverflow	LF pulse output overflow			X	
	0x00004000	16384	TotalStorageInitError	Totalizer storage error - no valid flash record found on startup				X
0x00008000	32768	TotalPersistError	Totalizer persistence error - totalizer storage verification failed			X		
0x00010000	65536	PTError	PTZ module error				X	

PTZStatus								
	Diagnostic Status Bits				Set both AB/BA	Affects	WARNING	ERROR
	Hex Value	Decimal Value	Enum / Short Description	Long Description				
PTZStatus	0x00000000	0	PTStatusGood	PTZ No errors				
	0x00000001	1	PTStatusWarning	PTZ Warning			X	
	0x00000002	2	PTStatusError	PTZ Error				X
	0x00000004	4	Spare	Spare				
	0x00000008	8	Spare	Spare				
	0x00000010	16	TemperatureOutOfRangeError	Temperature sensor error or value out of range			X	
	0x00000020	32	PressureOutOfRangeError	Pressure sensor error or value out of range			X	
	0x00000040	64	PTReadTimeOutError	No response from PT option board				X
	0x00000080	128	PTZInputsOutOfRangeError	PTZ inputs out of range				X

81500908.01 08/2020 EN

Appendix A: Diagnostic Codes

Path / Transducer diagnostics								
	Diagnostic Status Bits				Set both AB/BA	Affects	WARNING	ERROR
	Hex Value	Decimal Value	Enum / Short Description	Long Description				
Path/ Transducer Status Values set per transducer AB or BA	0x00000000	0	No error	No Error				
	0x00000001	1	Performance_bad	Performance too low				
	0x00000002	2	No_Correlation	MaxAmp and/or MinAmp below low limit		YES		
	0x00000004	4	SNR_Range	Signal to noise ratio too low		YES		
	0x00000008	8	Signal_overflow	Signal too large		YES		
	0x00000010	16	MinMaxZoom_Range	Min and Max indices of raw signal too far away		NO		
	0x00000020	32	Envelope_slope_range	Signal signature out of range		YES		
	0x00000040	64	Envelope_slope_dev	% deviation filter on Signal signature		YES		
	0x00000080	128	DetPoint_Range	Zero Cross out of range		YES		
	0x00000100	256	ZC_DETPT_Filter	Detectionpoint corrected by ZC_DETPT_filter		NO		
	0x00000200	512	DeltaT_error	ABS((DetPTCorrBA - DetPtCorrAB) - (ZeroCrossBA - ZeroCrossAB))		YES		
	0x00000400	1024	DemodTransittimeAccel	Transittime acceleration too high (cycle skip)		YES		
	0x00000800	2048	EnvPeakSkip	Envelope peak skip (packet)		NO		
	0x00001000	4096	SPARE					
	0x00002000	8192	SPARE					
	0x00004000	16348	SPARE					
	0x00008000	32786	SPARE					
	0x00010000	65536	VOSRange	Velocity of sound out of range	YES		X	
	0x00020000	131072	VOGRange	Velocity of gas out of range	YES		X	
	0x00040000	262144	WetGasVOS	Wetgas filter triggered substitution based on VOS	YES		X	
	0x00080000	524288	WetGasVOG	Wetgas filter triggered substitution based on VOG	YES		X	
0x00100000	1048576	Substitution	Path being substituted based on historical data	YES		X		
0x00200000	2097152	SPARE						

EN

For WIKA branches worldwide, visit our website www.wika.com.



Euromisure s.a.s di WIKA Italia S.r.l
via Borghisani 4
26035 Pieve San Giacomo (CR) - Italy
Telefon (+39) 0375 6404
Telefax (+39) 0372 640490
E-Mail salesflow.it@wika.com
www.wika.com